

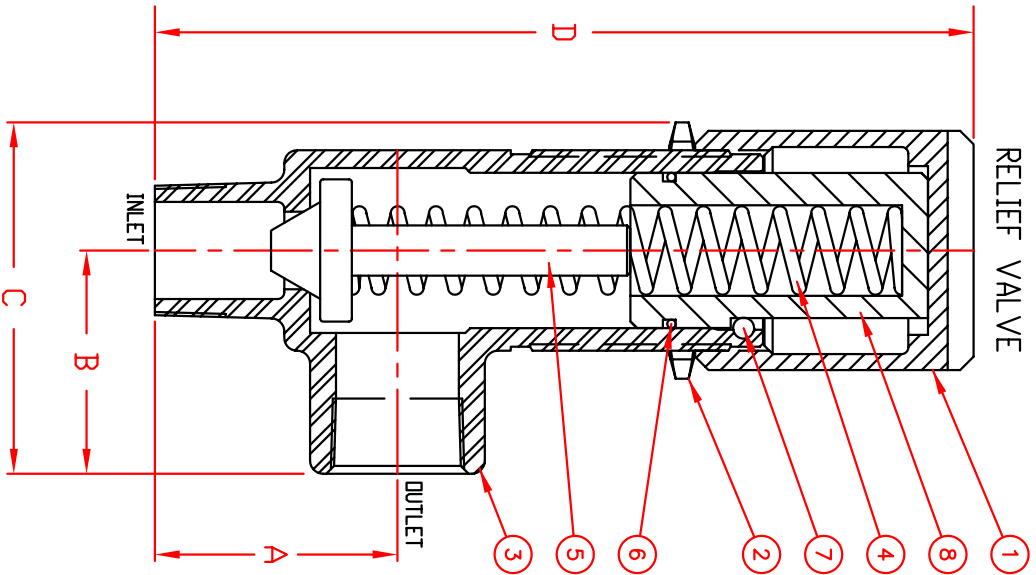


LIQUIFIELD EQUIPMENT CO.
GARWOOD, N.J. 07027

RELIEF VALVE BILL OF MATERIALS & SPECIFICATIONS

MODELS: RV1000 RV1001 RV2000 RV2001
 RV1000-LP RV1001-LP RV2000-LP RV2001-LP
 RV1000-HP RV1001-HP RV2000-HP RV2001-HP

RELIEF VALVE



RV1000-SERIES BOM

ITEM	PART NO.	DESCRIPTION	MATERIAL
1	1400	ADJUST. CAP	316 SS
2	861602	LOCK NUT	303 SS
3	1000	BODY	316 SS
	1001	BODY	ALLOY-C
	1200	SPRING	316 SS
	1201	SPRING	ALLOY-C
	1202	SPRING-LP	316 SS
4	1203	SPRING-LP	ALLOY-C
	1205	SPRING-HP	316 SS
	1206	SPRING-HP	ALLOY-C
5	1100	VALVE PIN	316 SS
	1101	VALVE PIN	ALLOY-C
6	869018	O-RING	TEFLON
7	1600	LOCK PIN	316 SS
	1601	LOCK PIN	ALLOY-C
	1300	INT. SPR. CAP	316 SS
8	1301	INT. SPR. CAP	ALLOY-C

RV2000-SERIES BOM

ITEM	PART NO.	DESCRIPTION	MATERIAL
1	2400	ADJUST. CAP	316 SS
2	2900	LOCK NUT	316 SS
3	2000	BODY	316 SS
	2001	BODY	ALLOY-C
	2200	SPRING	316 SS
	2201	SPRING	ALLOY-C
	2202	SPRING-LP	316 SS
	2203	SPRING-LP	ALLOY-C
5	2100	VALVE PIN	316 SS
	2101	VALVE PIN	ALLOY-C
6	2800	O-RING	TEFLON
	2600	LOCK PIN	316 SS
	2601	LOCK PIN	ALLOY-C
7	2300	INT. SPR. CAP	316 SS
8	2301	INT. SPR. CAP	ALLOY-C

RELIEF VALVE PERFORMANCE SPEC.

MODEL NO.	BODY MAT'L	SET RANGE	MAX FLOW*
RV1000-LP	316 SS	25-65 PSI	7.5 GPM
RV1001-LP	ALLOY-C	25-65 PSI	7.5 GPM
RV1000	316 SS	50-135 PSI	7.5 GPM
RV1001	ALLOY-C	50-135 PSI	7.5 GPM
RV1000-HP	316 SS	75-200 PSI	7.5 GPM
RV1001-HP	ALLOY-C	75-200 PSI	7.5 GPM
RV2000-LP	316 SS	25-75 PSI	25 GPM
RV2001-LP	ALLOY-C	25-75 PSI	25 GPM
RV2000	316 SS	50-175 PSI	25 GPM
RV2001	ALLOY-C	50-175 PSI	25 GPM

* APPROX. FLOW @ 25% ABOVE PRESSURE SETTING.

RELIEF VALVE PORT SPEC.

SERIES	DRIFICE	INLET	OUTLET
RV1000	5/16"	1/2" NPT	1/2" NPT
RV2000	3/4"	1" NPT	1" NPT

RELIEF VALVE DIMENSIONAL SPEC.

SERIES	A	B	C	D (MIN-MAX)
RV1000	1.75"	1.25"	1.97"	4.50-5.29"
RV2000	2.34"	2.16"	3.39"	6.50-8.12"