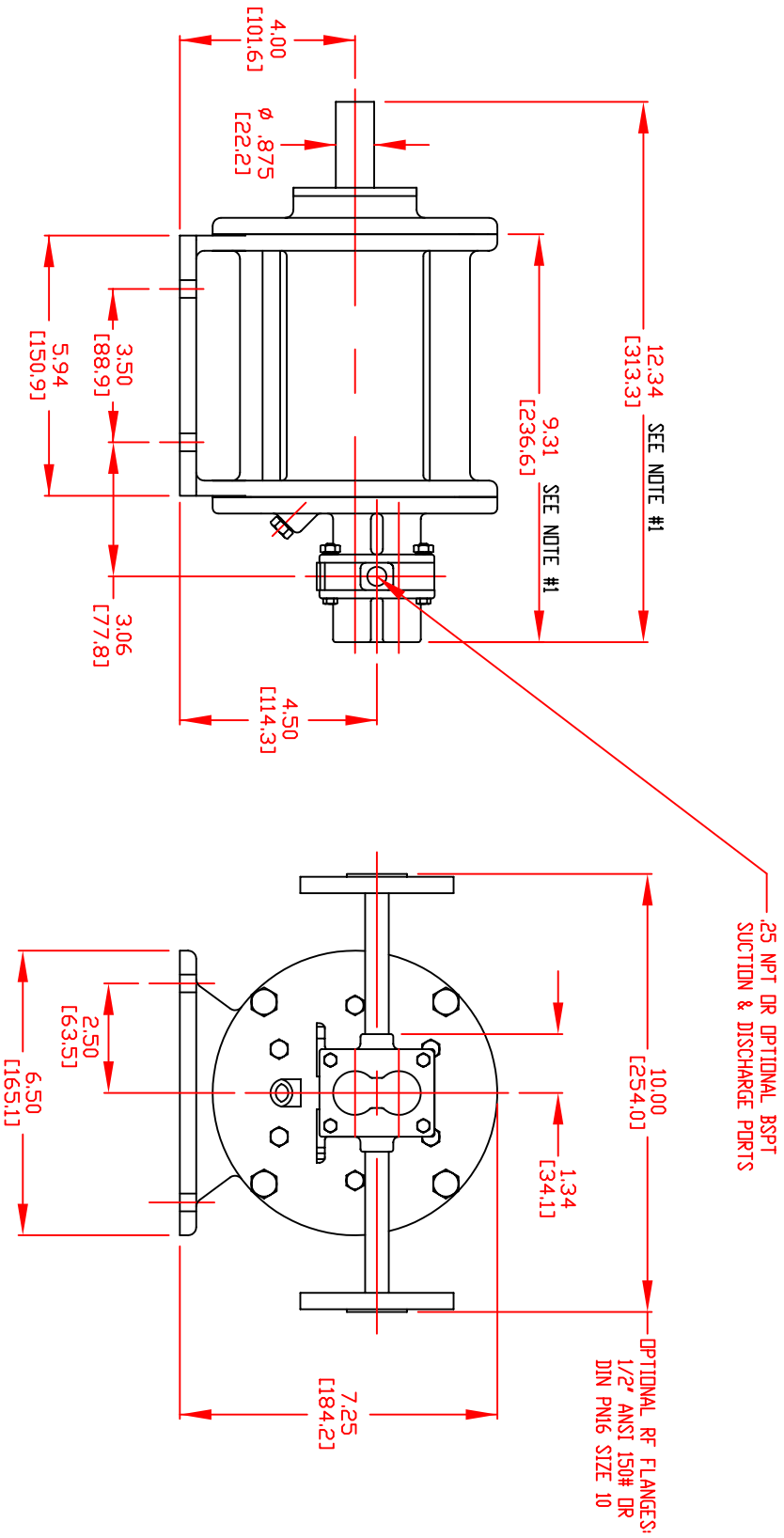




LIQUIFLO EQUIPMENT CO.
GARWOOD, N.J. 07027

MODEL: ROTTOGEAR MAG-DRIVE, 31, 33, H1 & H3
WITH S-ADAPTER
DWG. NO. 20053 REV. B

SERIES
3 & H



- NOTES:
- 1) ADD .31 [7.9] FOR BEARING FLUSH PLUGS.
 - 2) FRONT VIEW SHOWN WITH FLANGES.

