

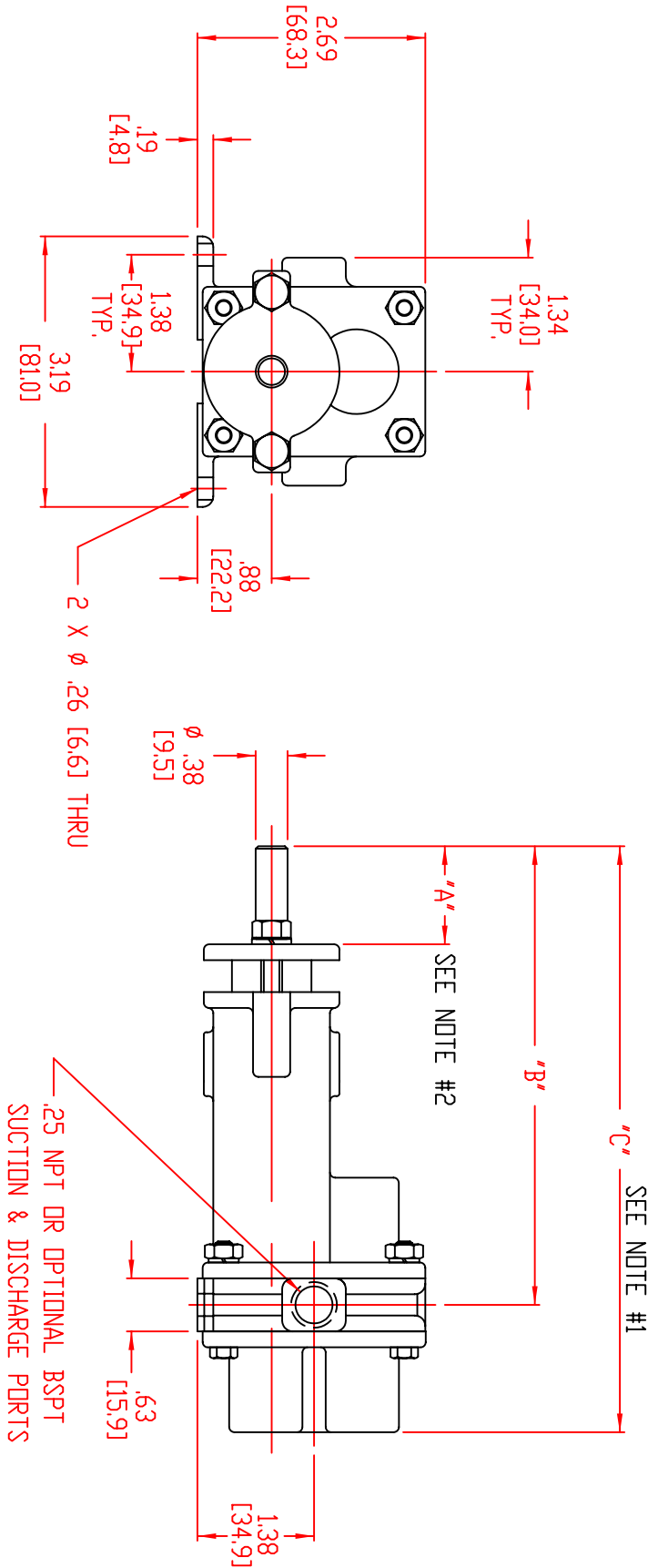


LIQUIFLO EQUIPMENT CO.
GARWOOD, N.J. 07027

MODEL: ROTORGEAR SEALED, 31, 33, H1 & H3,
BARE PUMP
DWG. NO. 20050 REV. B

SERIES
3 & H

SEAL TYPE	"A" DIMEN.	"B" DIMEN.	"C" DIMEN.
SING. INT. & DBL. MECH.	1.12 [28.4]	5.44 [138.2]	6.94 [176.3]
EXTERNAL MECH.	1.03 [26.2]	6.16 [156.5]	7.66 [194.6]
LIP	1.57 [39.9]	5.44 [138.2]	6.94 [176.3]
PACKING	1.19 [30.2]	5.44 [138.2]	6.94 [176.3]



NOTES:

- 1) ADD .31 [7.9] FOR BEARING FLUSH PLUGS.
- 2) .03 [0.8] BETWEEN COUPLING AND GLAND PLATE.

