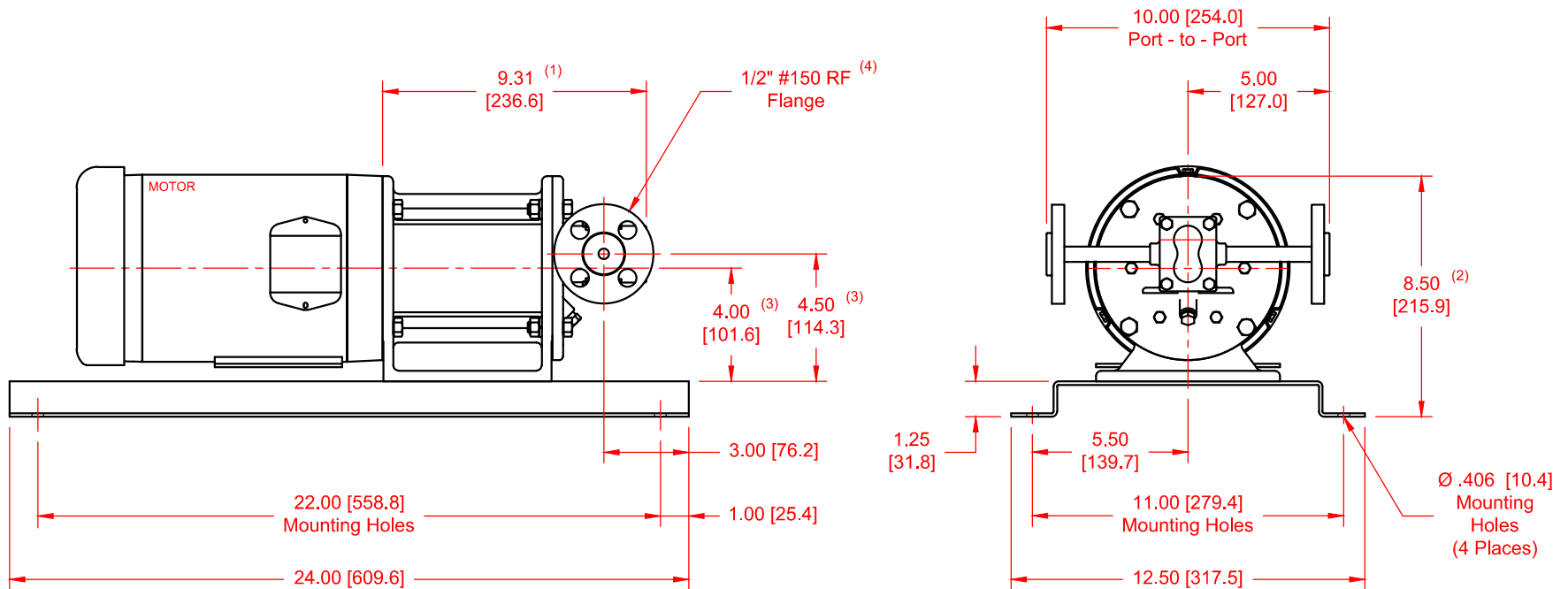


SERIES	MODEL	CONFIGURATION	SEAL TYPE
H-Series 3-Series	H1F or H3F 31F or 33F	Sealed or Mag-Drive Gear Pump Close-Coupled Base-Mounted Version with RF Flange	Single, Double or External Mechanical Seal, Packing or Mag-Drive (Sealless)

UNITS: inches [mm]



NOTES:

- 1) Dimension to end of pump rear housing.
- 2) Dimension to the top of Bracket.
- 3) Applies for NEMA 56C, 143TC, 145TC & IEC 71-B5 Motors.
- 4) Also available with ANSI 1/2" #300 RF and DN10 PN 16 flanges.