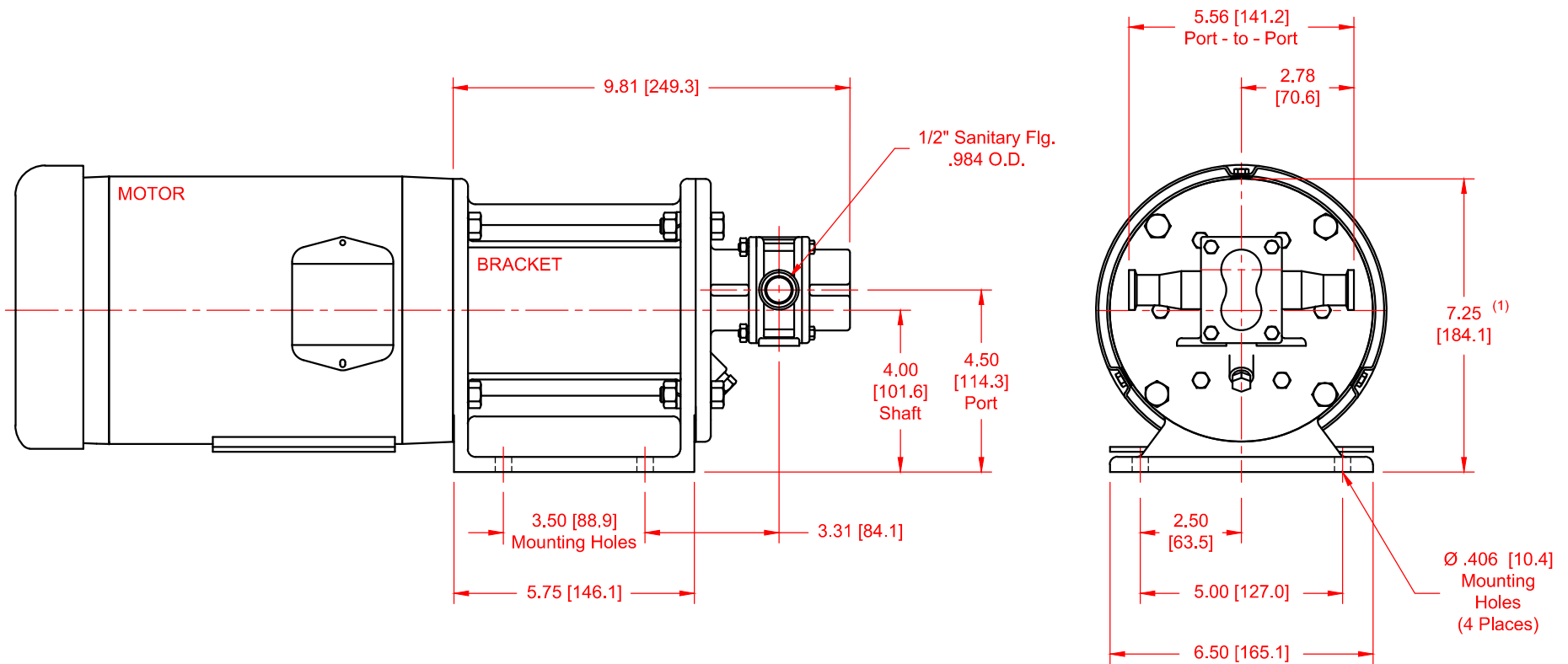


SERIES	MODEL	CONFIGURATION	SEAL TYPE
H-Series 3-Series	H1F, H3F, H5F H5R, 31F, 33F 35F, 35R	Sealed or Mag-Drive Gear Pump Close-Coupled Version with Sanitary Flanges	Single, Double or External Mechanical Seal, Packing or Mag-Drive (Sealless)

UNITS: inches [mm]



NOTES:
 1) Dimension to top of Bracket.