



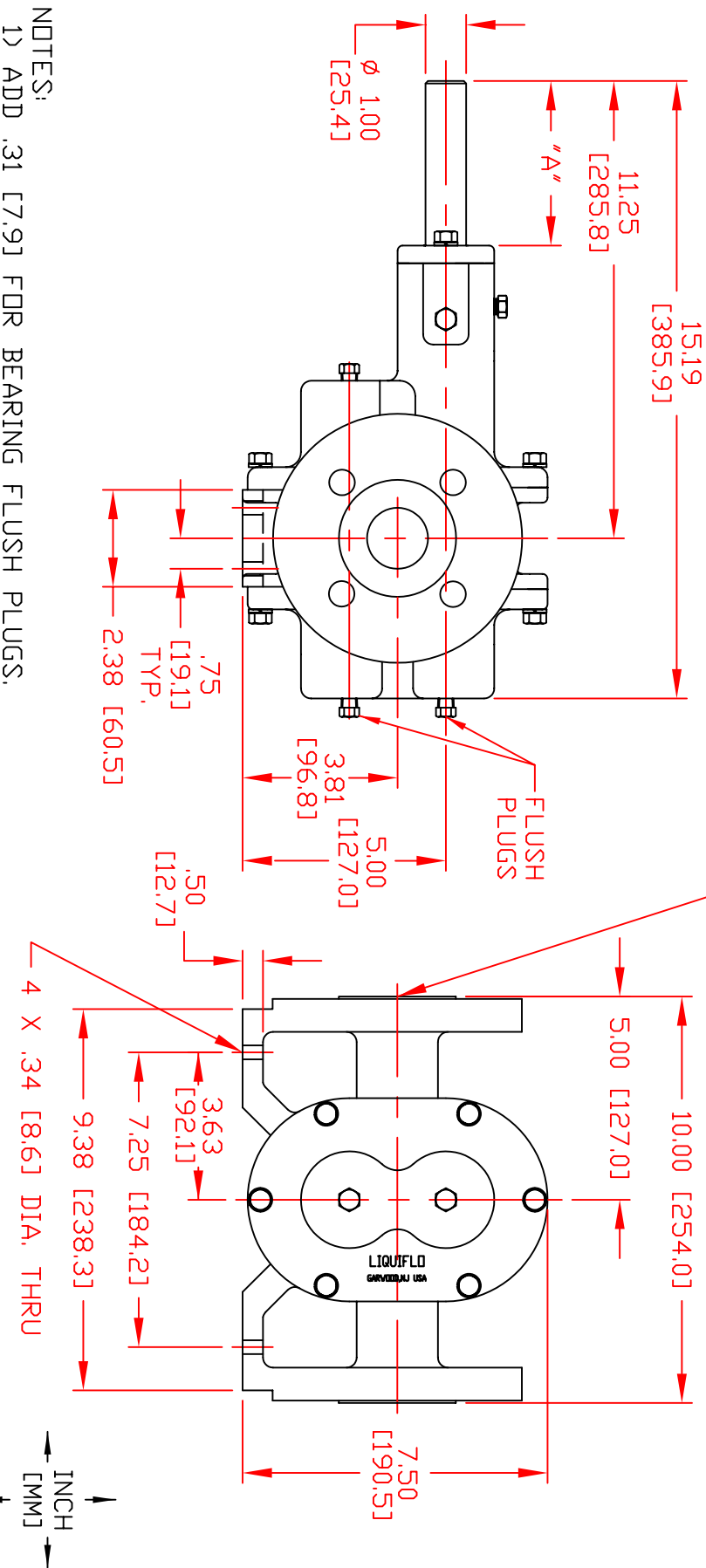
LIQUIFLO EQUIPMENT CO.
GARWOOD, N.J. 07027

MODEL: ROTOGEAR SEALED, 312F & 312R,
BARE PUMP, FLANGED PORTS
DWG. NO. 20183 REV. C

SERIES
3

SEAL TYPES	"A" DIMEN.
INTERN. SING. & DBL. MECH.	4.06 [103]
PACKING	3.78 [96.0]
EXTERNAL MECH.	4.50 [114]

<SEE NOTE #1>



NOTES:
1) ADD .31 [7.9] FOR BEARING FLUSH PLUGS.