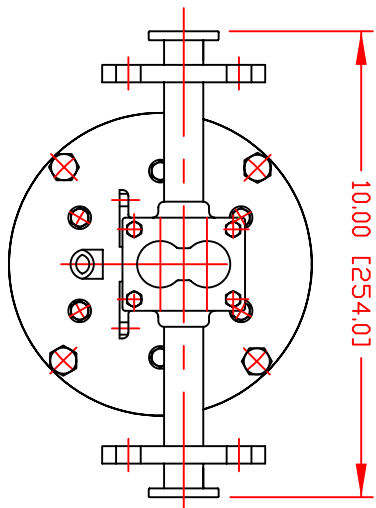
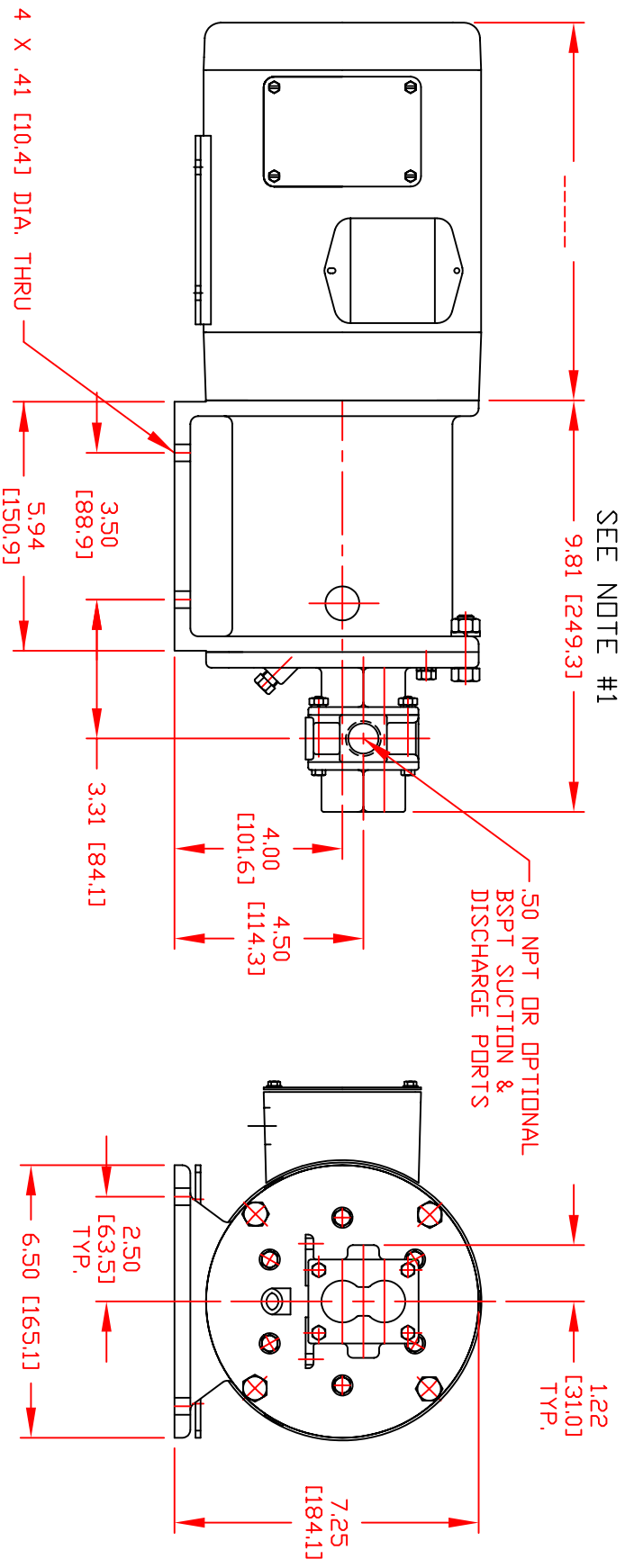




LIQUIFLO EQUIPMENT CO.
GARWOOD, N.J. 07027

MODEL: ROTOGEAR MAG-DRIVE & CC,
35F/35R & H5F/H5R, BARE PUMP
DWG. NO. 20062 REV. C

SERIES
3 & H



OPTIONAL RF FLANGES:
ANSI 1/2" 150# DR
DIN PN16 SIZE 15

NOTES:
1) ADD .31 [7.9] FOR BEARING FLUSH PLUGS.

