



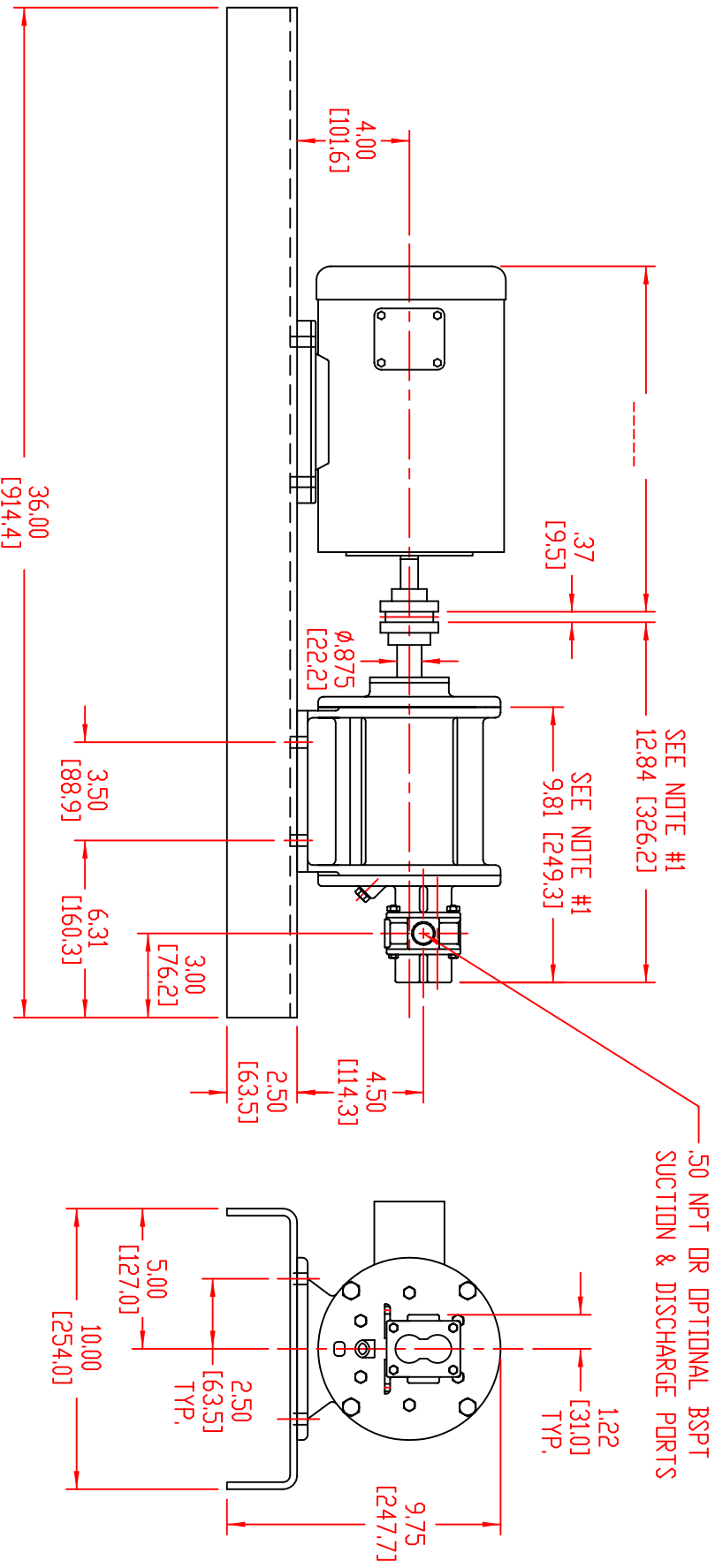
LIQUIFLO EQUIPMENT CO.  
GARWOOD, N.J. 07027

MODEL: ROTOGEAR MAG-DRIVE, 35F/35R & H5F/H5R,  
WITH S-ADAPTER, BASE ASSEMBLED

SERIES  
3 & H

DWG. NO. 20066

REV. B



.50 NPT OR OPTIONAL BSPT  
SUCTION & DISCHARGE PORTS

NOTES:  
1) ADD .31 [7.9] FOR BEARING FLUSH PLUGS.

