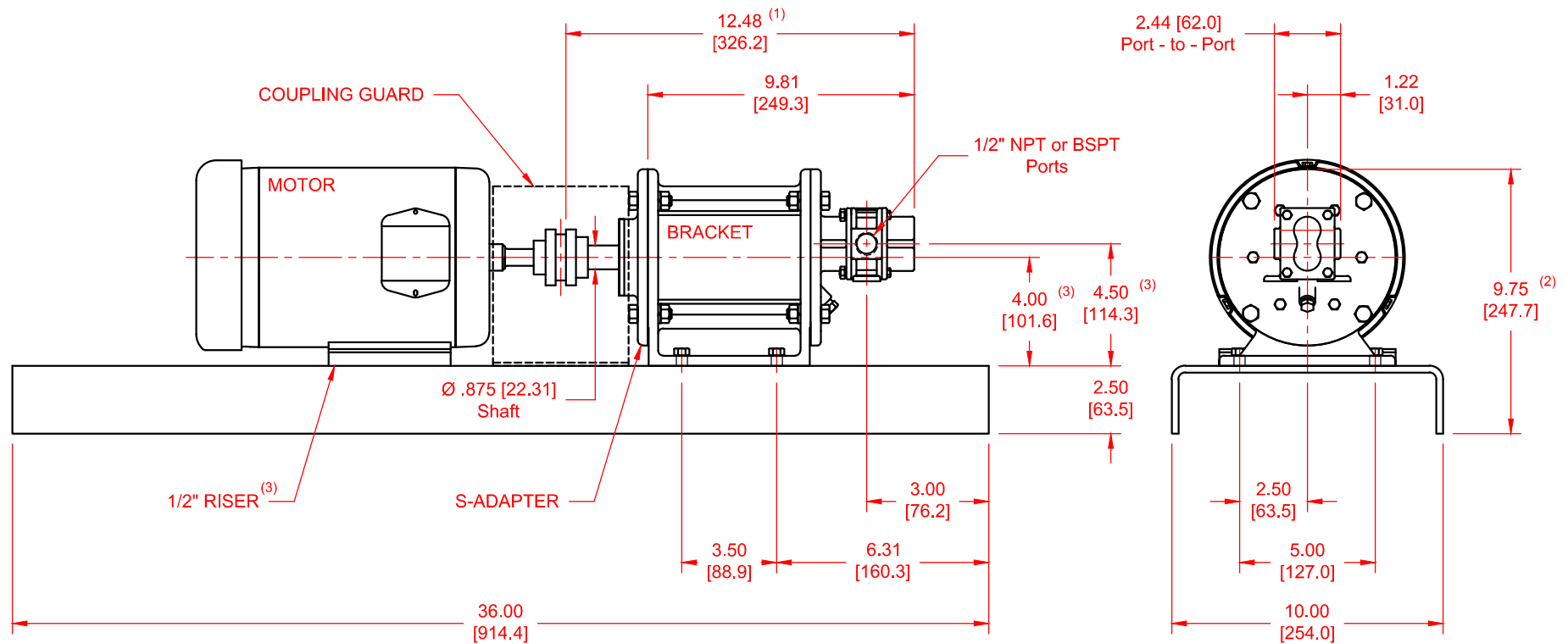


SERIES	MODEL	CONFIGURATION	SEAL TYPE
H-Series 3-Series	H5F or H5R 35F or 35R	Mag-Drive Gear Pump Long-Coupled Base-Mounted Version with NPT or BSPT Ports	Mag-Drive (Sealless)

UNITS: inches [mm]



NOTES:

- 1) Dimension to end of pump shaft.
- 2) Dimension to top of Bracket.
- 3) Applies for NEMA 56, 143T & 145T Motors.