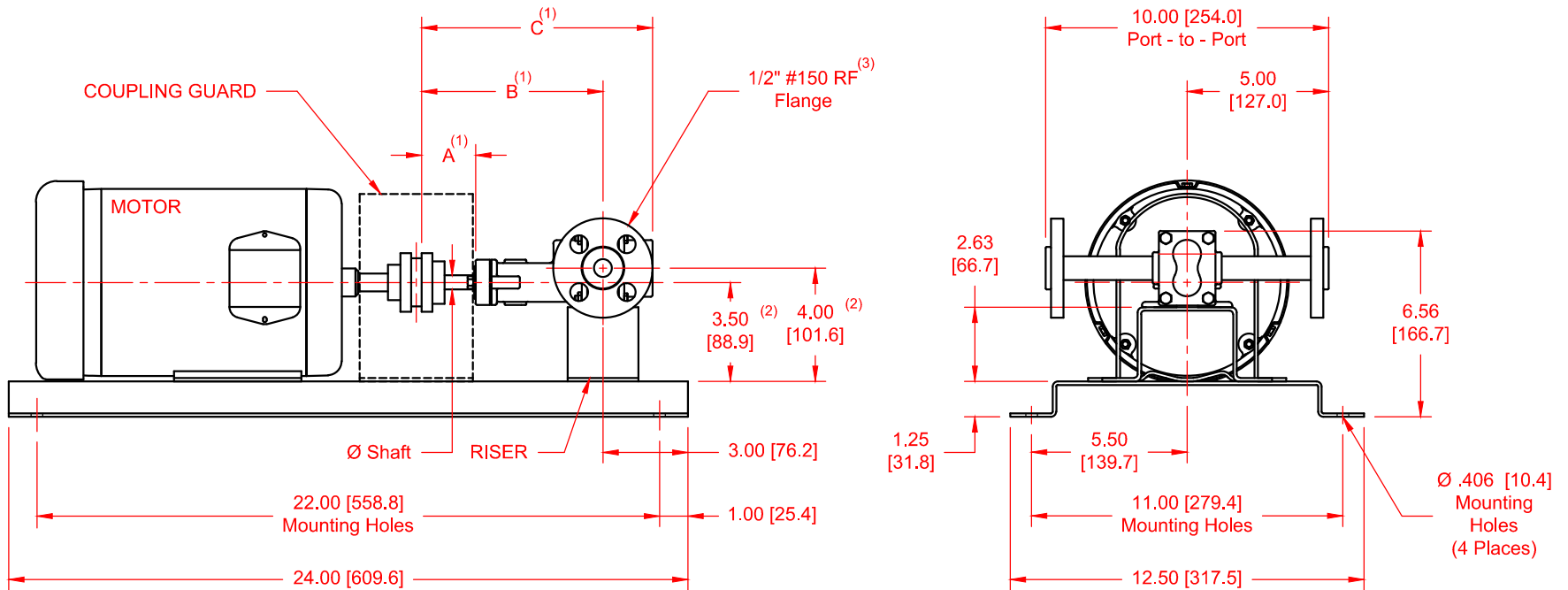


| SERIES               | MODEL                    | CONFIGURATION   | SEAL TYPE  |
|----------------------|--------------------------|---|--|
| H-Series<br>3-Series | H5F or H5R<br>35F or 35R | Sealed Gear Pump<br>Long-Coupled Base-Mounted Version<br>with RF Flanges. | Single Mechanical Seal, Double Mechanical Seal<br>or Packing |

UNITS: inches [mm]

| SEAL TYPE                        | 35R or 35F shaft Ø.375 |              |              | H5R or H5F shaft Ø.500 |              |              |
|----------------------------------|------------------------|--------------|--------------|------------------------|--------------|--------------|
|                                  | "A"                    | "B"          | "C"          | "A"                    | "B"          | "C"          |
| Single or Double Mechanical Seal | 1.13 [28.7]            | 5.69 [144.5] | 7.44 [189.0] | 1.12 [28.4]            | 5.67 [144.0] | 7.42 [188.5] |
| Packing                          | 1.19 [30.2]            | 5.69 [144.5] | 7.44 [189.0] | 1.13 [28.7]            | 5.67 [144.0] | 7.42 [188.5] |



**NOTES:**

- 1) Dimension to end of pump shaft.
- 2) Applies for NEMA 56, 143T & 145T Motors.
- 3) Also available with ANSI 1/2" #300 RF and DN15 PN16 Flanges.