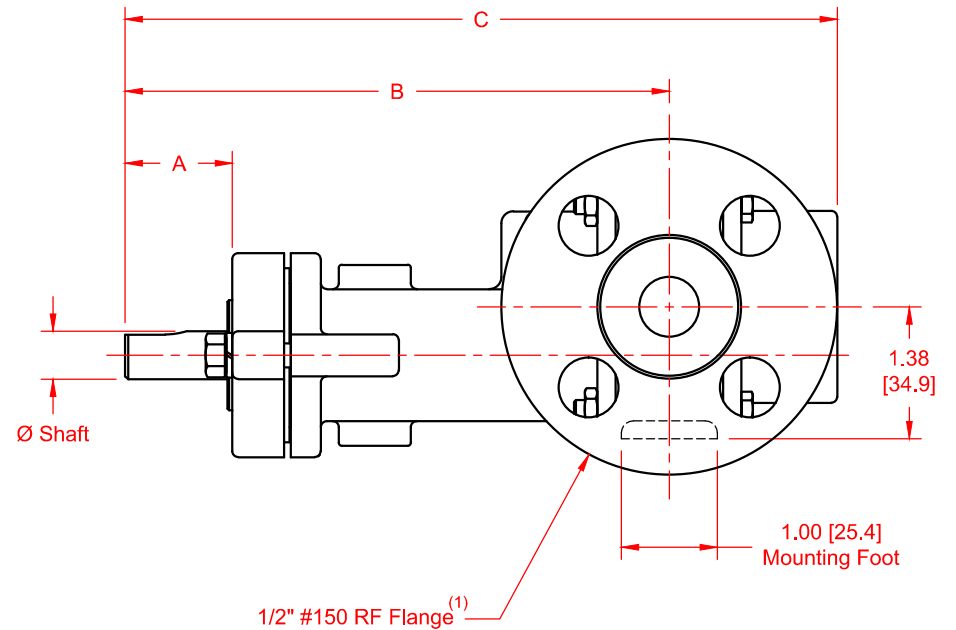
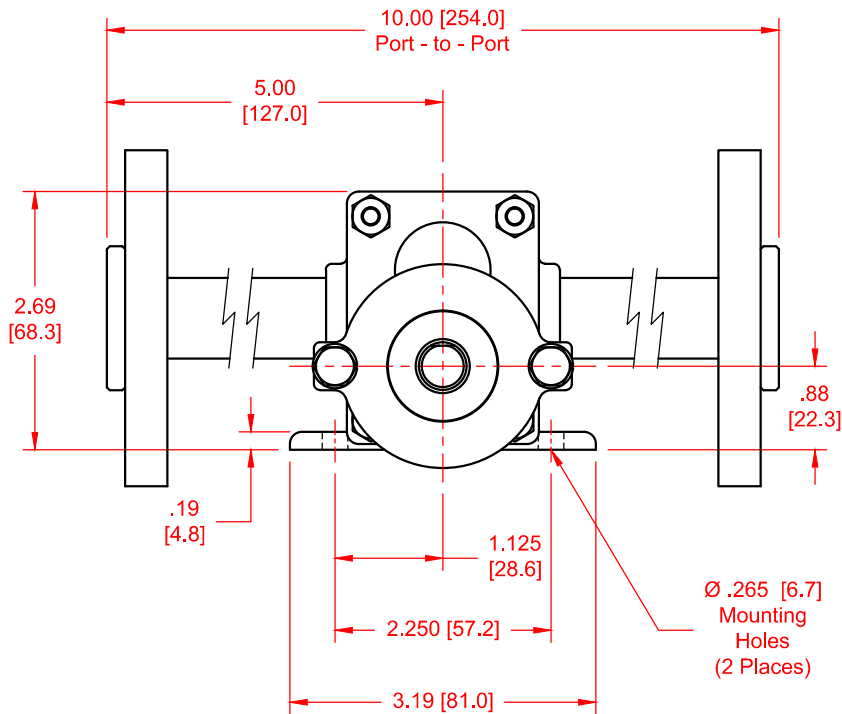


SERIES	MODEL	CONFIGURATION	SEAL TYPE
H-Series 3-Series	H5F or H5R 35F or 35R	Sealed Gear Pump, Long-Coupled Version with RF Flanges.	Single Mechanical Seal, Double Mechanical Seal or Packing

UNITS: inches [mm]

SEAL TYPE	35R or 35F shaft Ø.375			H5R or H5F shaft Ø.500		
	"A"	"B"	"C"	"A"	"B"	"C"
Single or Double Mechanical Seal	1.13 [28.7]	5.69 [144.5]	7.44 [189.0]	1.12 [28.4]	5.67 [144.0]	7.42 [188.5]
Packing	1.19 [30.2]	5.69 [144.5]	7.44 [189.0]	1.13 [28.7]	5.67 [144.0]	7.42 [188.5]



NOTES:

1) Also available with ANSI 1/2" #300 RF and DN15 PN16 flanges.