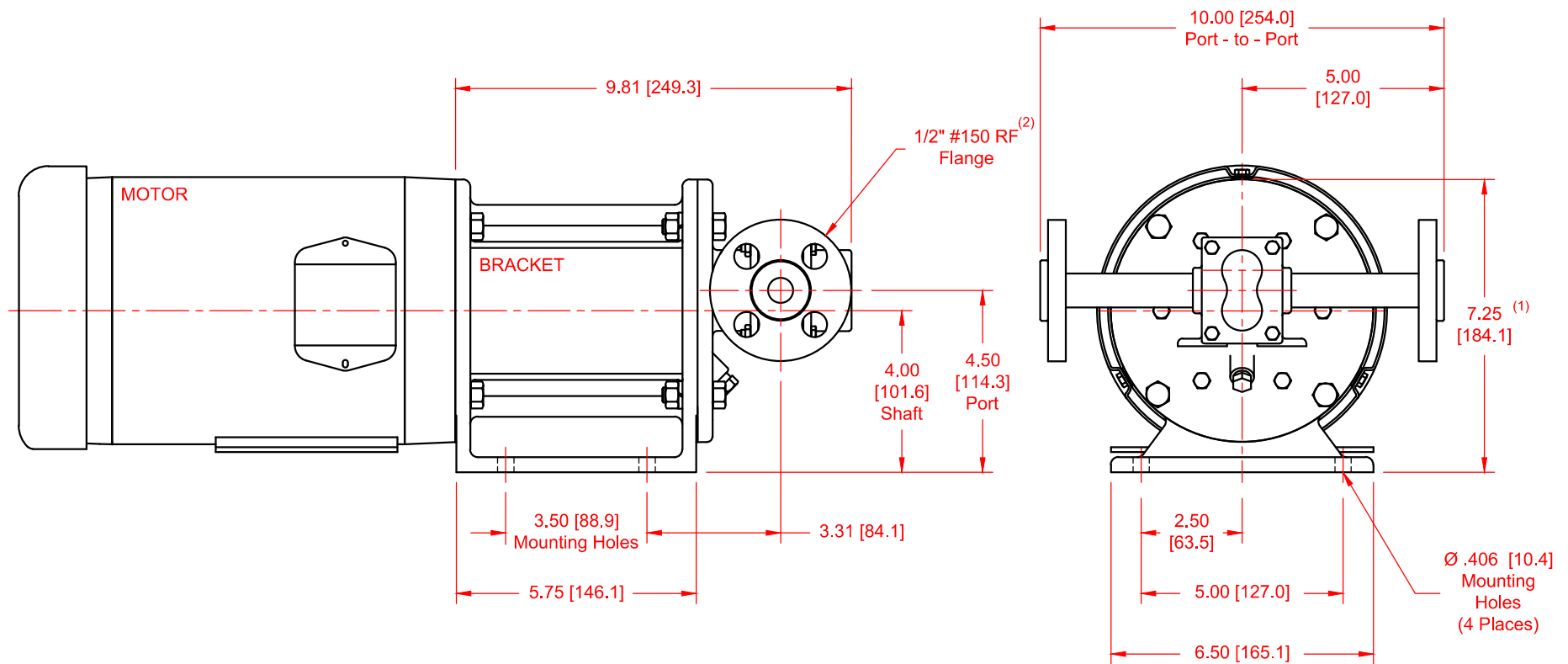


SERIES	MODEL	CONFIGURATION	SEAL TYPE
H-Series 3-Series	H5F or H5R 35F or 35R	Sealed or Mag-Drive Gear Pump Close-Coupled Version with RF Flanges.	Single, Double or External Mechanical Seal, Packing or Mag-Drive (Sealless)

UNITS: inches [mm]



NOTES:

- 1) Dimension to top of Bracket.
- 2) Also available with ANSI 1/2" #300 RF and DN15 PN16 flanges.