



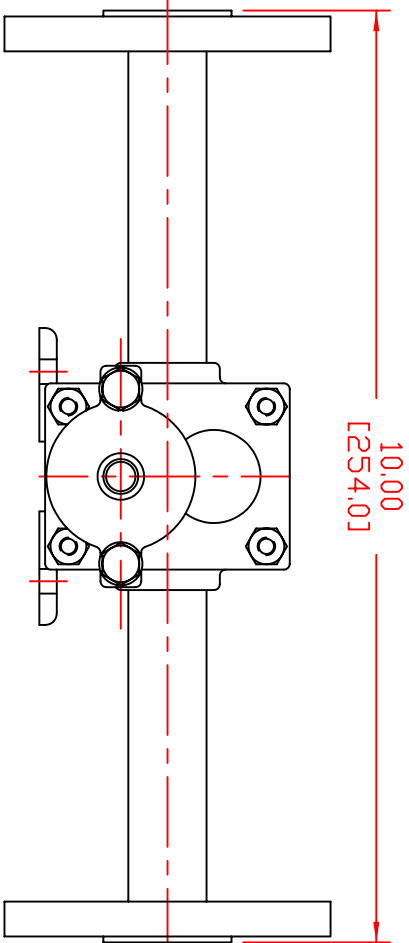
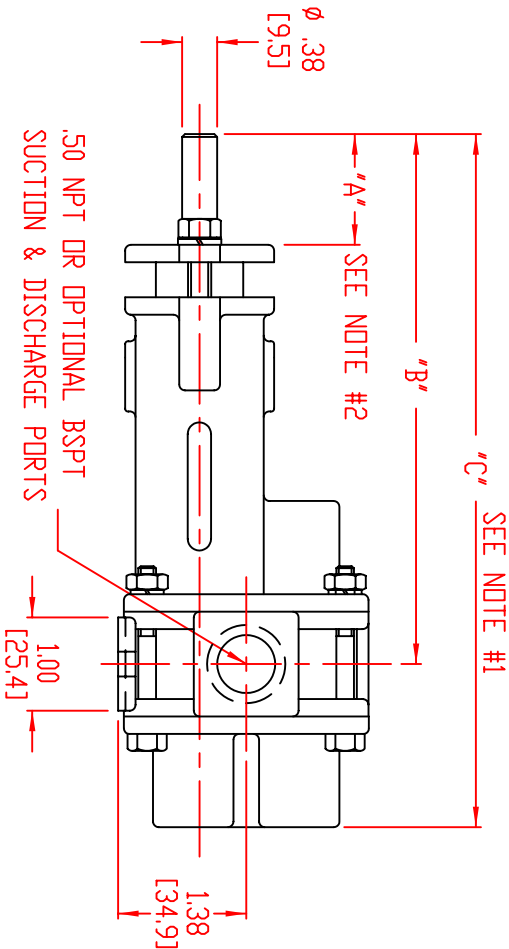
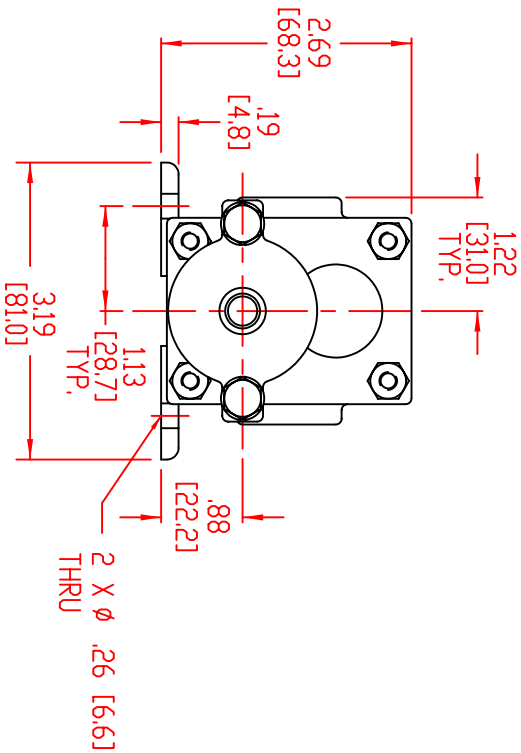
LIQUIFLO EQUIPMENT CO.  
GARWOOD, N.J. 07027

MODEL: 35F & 35R SEALED GEAR PUMP  
DWG. NO. 20060 REV. A

SERIES  
3

SEAL TYPE	"A" DIMEN.	"B" DIMEN.	"C" DIMEN.
SING. INT. & DBL MECH.	1.13 [28.7]	5.69 [144.5]	7.44 [189.0]
EXTERNAL MECH.	2.23 [56.6]	6.81 [173.0]	8.56 [217.4]
LIP	1.56 [39.6]	5.69 [144.5]	7.44 [189.0]
PACKING	1.19 [30.2]	5.69 [144.5]	7.44 [189.0]

- NOTES:  
1) ADD .31 [7.9] FOR BEARING FLUSH PLUGS.  
2) .03 [0.8] BETWEEN COUPLING AND GLAND PLATE.



OPTIONAL RF FLANGES:  
1/2" ANSI 150# DR  
DIN PN16 SIZE 15

