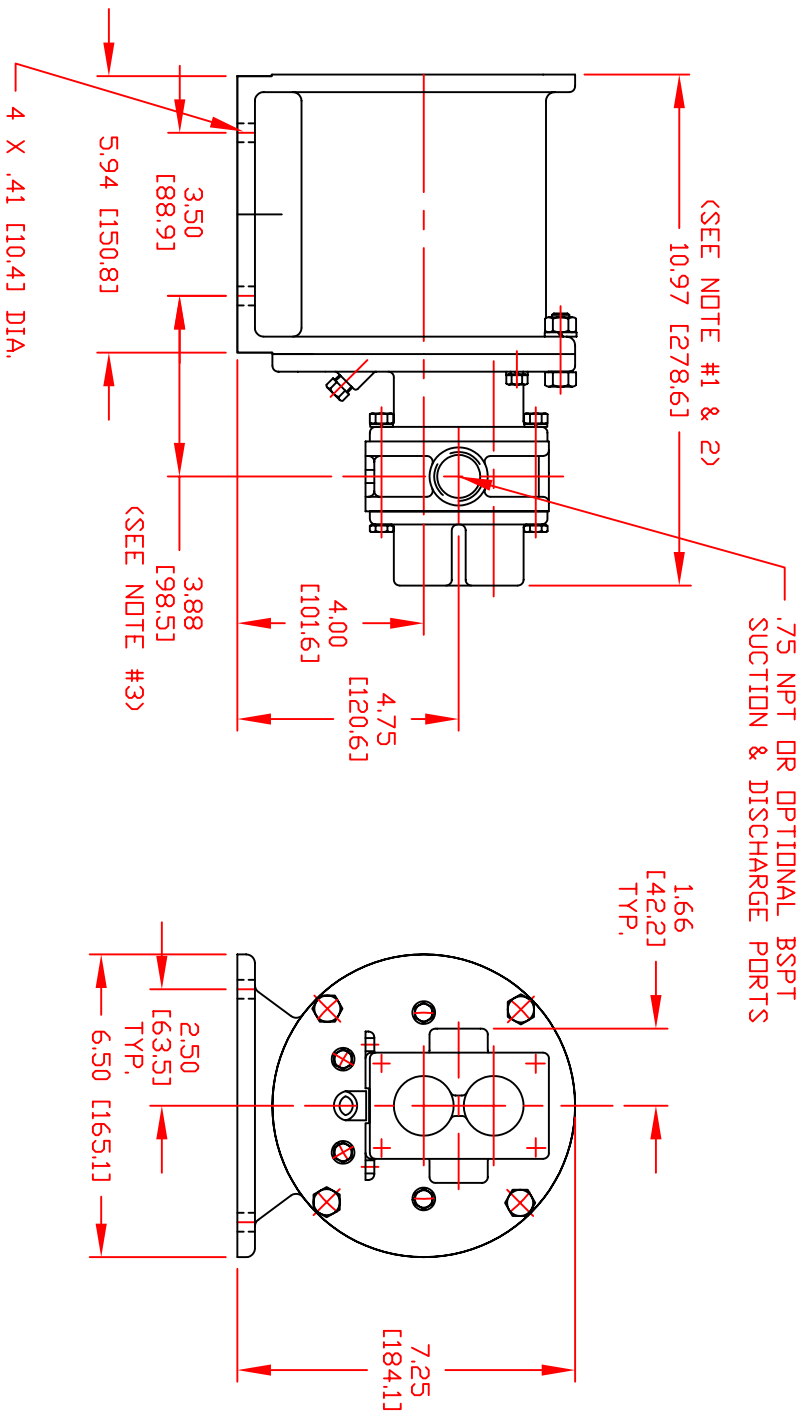




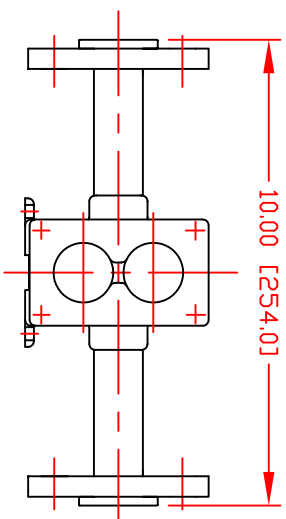
LIQUIFLO EQUIPMENT CO.  
GARWOOD, N.J. 07027

MODEL: ROTOGEAR MAG-DRIVE & CC,  
37F/37R & H7F/H7R/H7N, BARE PUMP  
DWG. NO. 20377 REV. C

SERIES  
3 & H



- NOTES:
- 1) ADD .31 [7.9] FOR BEARING FLUSH PLUGS.
  - 2) FOR 37R & H7R/H7N PUMPS, SUBTRACT .25 [6.4].
  - 3) FOR 37R & H7R/H7N PUMPS, SUBTRACT .13 [3.3].



OPTIONAL RF FLANGES:  
3/4" ANSI 150# OR  
DIN PN16 SIZE 20

