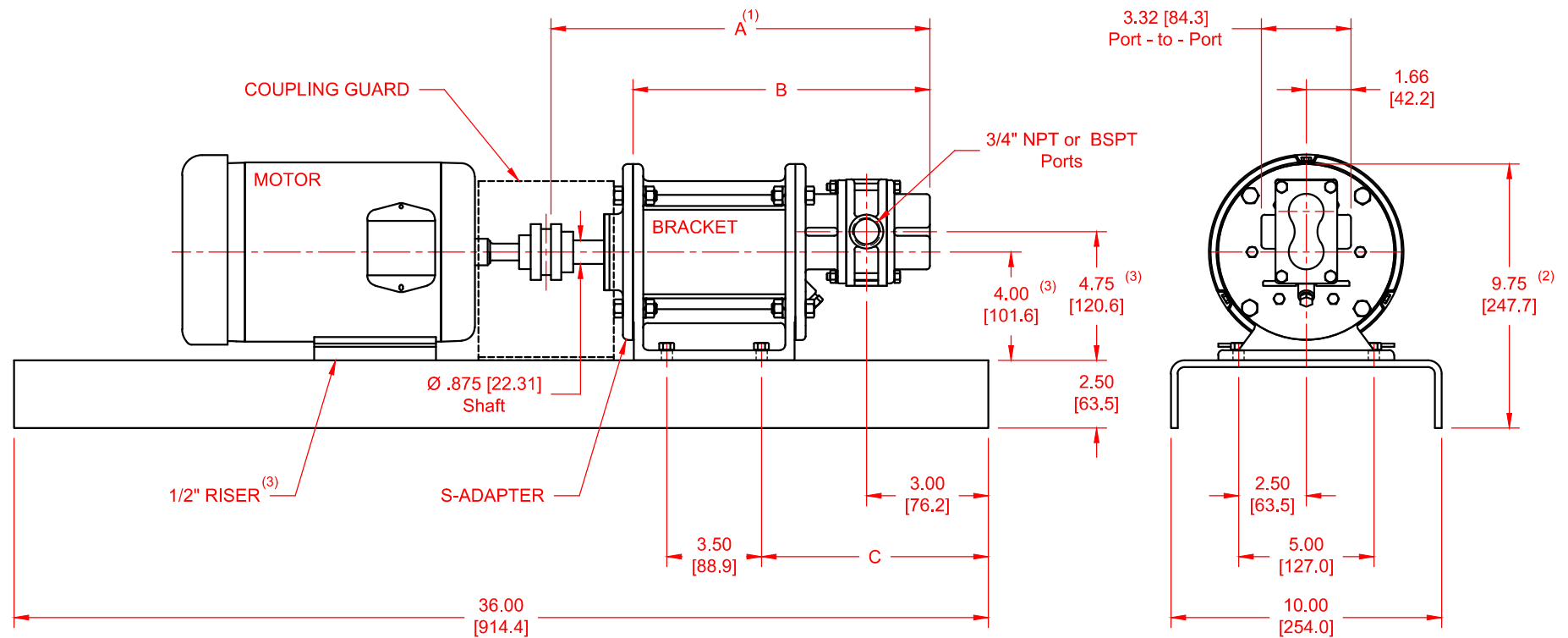


SERIES	MODEL	CONFIGURATION	SEAL TYPE
H-Series 3-Series	H7F, H7R or H7N 37F, 37R	Mag-Drive Gear Pump Long-Coupled Base-Mounted Version with NPT or BSPT Ports	Mag-Drive (Sealless)

UNITS: inches [mm]

MODEL	"A"	"B"	"C"
37F or H7F	14.00 [355.6]	10.98 [278.8]	6.88 [174.6]
37R, H7R or H7N	13.75 [349.3]	10.72 [272.4]	6.75 [171.5]



**NOTES:**

- 1) Dimension to end of pump shaft.
- 2) Dimension to top of Bracket.
- 3) Applies for NEMA 56, 143T & 145T Motors.