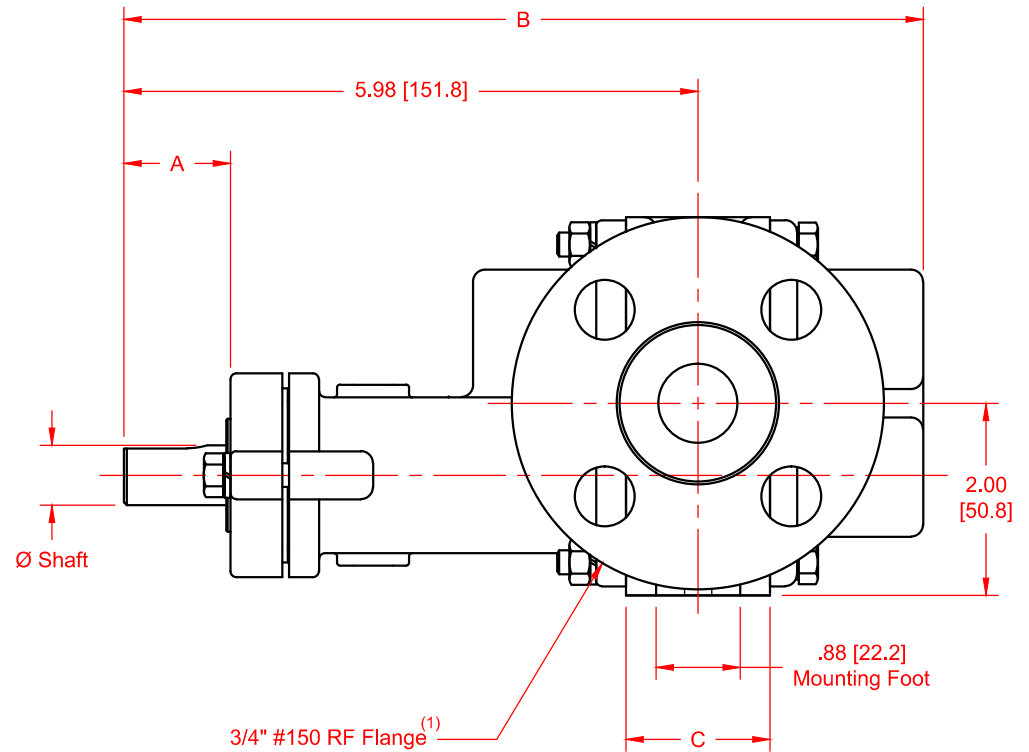
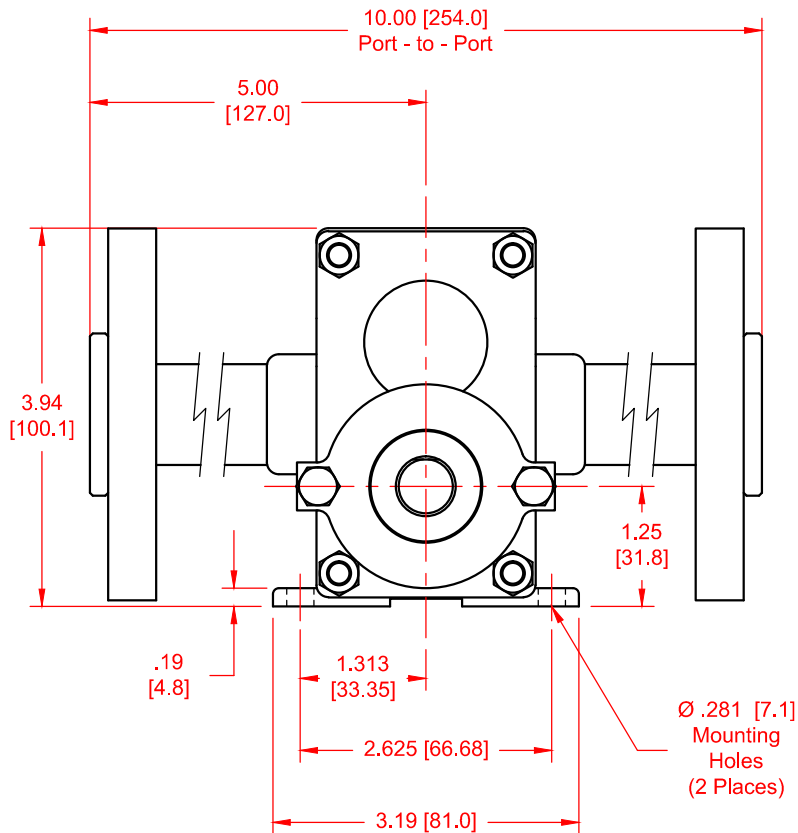


SERIES	MODEL	CONFIGURATION	SEAL TYPE
H-Series	H7F, H7R or H7N 37F, 37R	Sealed Gear Pump, Long-Coupled Version with RF Flanges.	Single Mechanical Seal, Double Mechanical Seal or Packing

UNITS: inches [mm]

SEAL TYPE	37R shaft Ø.500			37F shaft Ø.500		
	"A"	"B"	"C"	"A"	"B"	"C"
Single or Double Mechanical Seal	1.23 [31.2]	8.20 [208.3]	1.25 [31.8]	1.11 [28.2]	8.32 [211.3]	1.50 [38.1]
Packing	1.25 [31.8]	8.20 [208.3]	1.25 [31.8]	1.13 [28.7]	8.32 [211.3]	1.50 [38.1]
SEAL TYPE	H7R or H7N shaft Ø.625			H7F shaft Ø.625		
	"A"	"B"	"C"	"A"	"B"	"C"
Single or Double Mechanical Seal	1.23 [31.2]	8.20 [208.3]	1.25 [31.8]	1.11 [28.2]	8.32 [211.3]	1.50 [38.1]
Packing	1.25 [31.8]	8.20 [208.3]	1.25 [31.8]	1.13 [28.7]	8.32 [211.3]	1.50 [38.1]



NOTES:

1) Also available with ANSI 3/4" #300 RF and DN20 PN16 flanges.

DWG. NO. 20501 REV.