

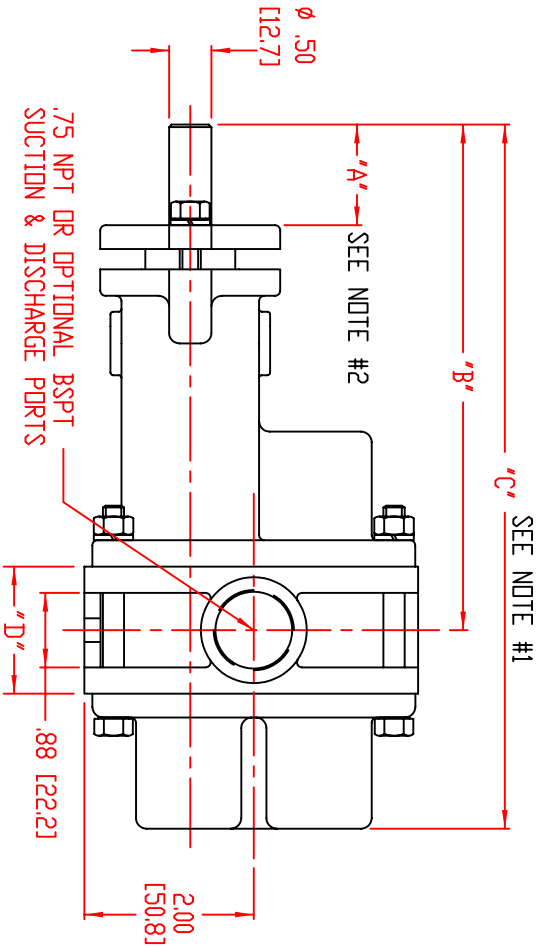
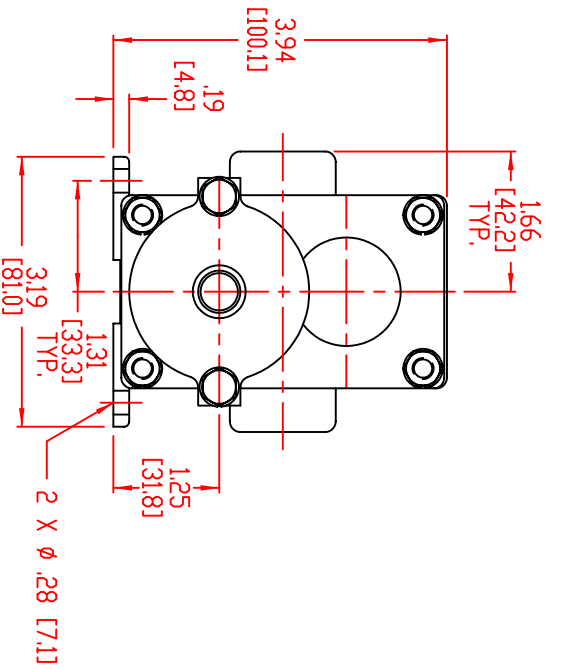


LIQUIFLO EQUIPMENT CO.
GARWOOD, N.J. 07027

MODEL: 37F & 37R SEALED GEAR PUMP
DWG. NO. 20376 REV. C

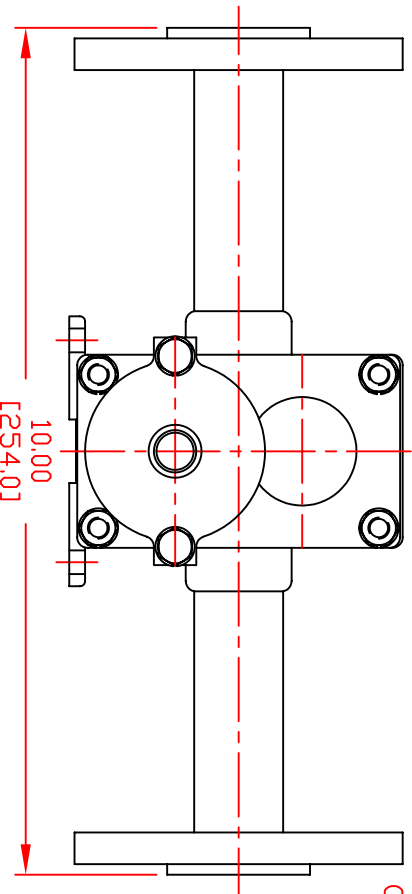
SERIES
3

SEAL TYPE	MODEL	37F				37R			
		'A' DIMEN.	'B' DIMEN.	'C' DIMEN.	'D' DIMEN.	'A' DIMEN.	'B' DIMEN.	'C' DIMEN.	'D' DIMEN.
INT. SING. & DBL MECH.	1.11 [28.2]	5.98 [151.9]	8.32 [211.4]	1.50 [38.1]	1.23 [31.4]	5.98 [151.9]	8.20 [208.3]	1.25 [31.8]	1.25 [31.8]
EXTERNAL MECH.	3.23 [82.0]	8.10 [205.7]	10.44 [265.2]	1.50 [38.1]	3.35 [85.2]	8.10 [205.7]	10.32 [262.1]	1.25 [31.8]	1.25 [31.8]
LIP	1.44 [36.5]	5.98 [151.9]	8.32 [211.4]	1.50 [38.1]	1.56 [39.7]	5.98 [151.9]	8.20 [208.3]	1.25 [31.8]	1.25 [31.8]
PACKING	1.13 [28.6]	5.98 [151.9]	8.32 [211.4]	1.50 [38.1]	1.25 [31.8]	5.98 [151.9]	8.20 [208.3]	1.25 [31.8]	1.25 [31.8]



.75 NPT OR OPTIONAL BSPT
SUCTION & DISCHARGE PORTS

OPTIONAL RF FLANGES:
3/4" ANSI 150#
OR
DIN PN16 SIZE 20



NOTES:

- 1) ADD .31 [7.9] FOR BEARING FLUSH PLUGS.
- 2) .031 [.8] BETWEEN CPLG. AND GLAND PLATE.

