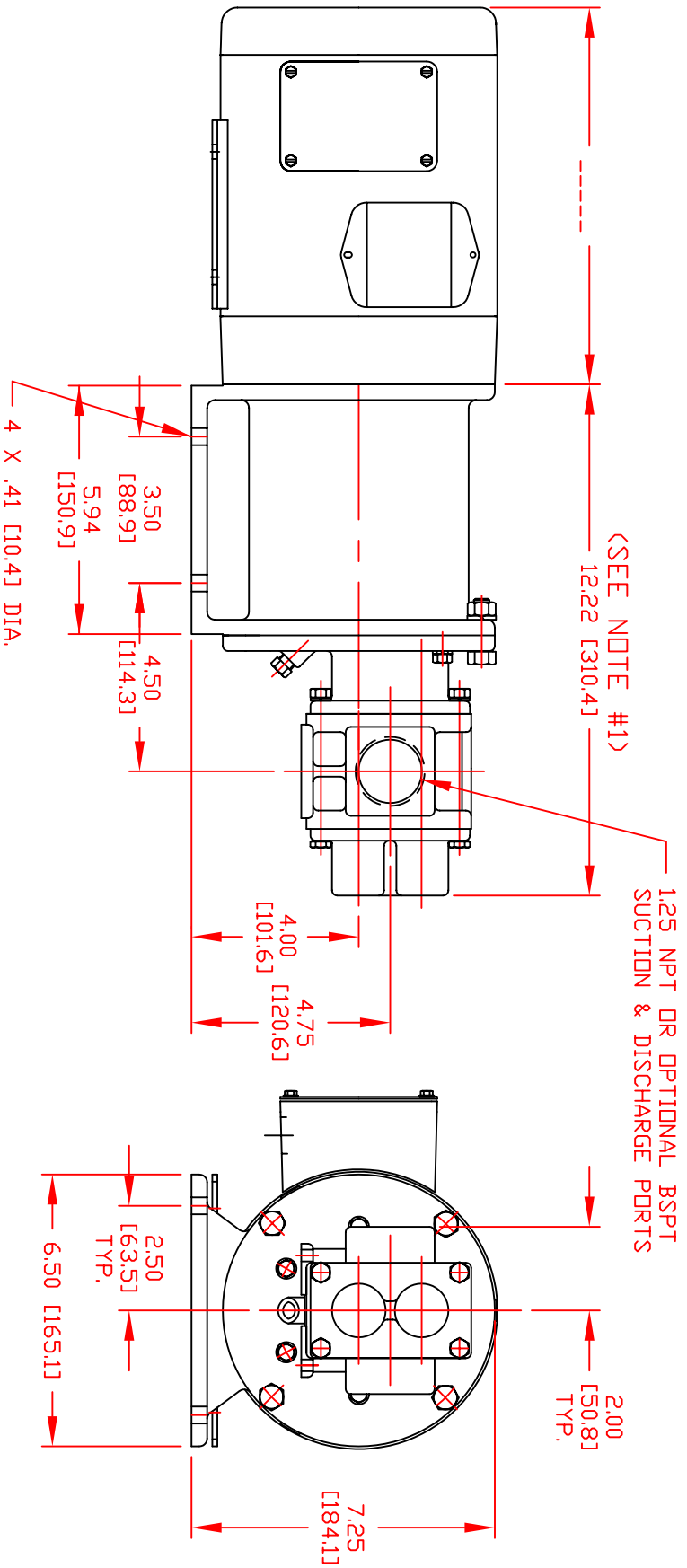




LIQUIFLO EQUIPMENT CO.  
GARWOOD, N.J. 07027

MODEL: ROTOGEAR MAG-DRIVE & CC,  
39F & H9F, BARE PUMP  
DWG. NO. 20126 REV. C

SERIES  
3 & H



OPTIONAL RF FLANGES:  
1.25" ANSI 150# DR  
DIN PN16 SIZE 32

NOTES:  
1) ADD .31 [7.9] FOR BEARING FLUSH PLUGS.

