

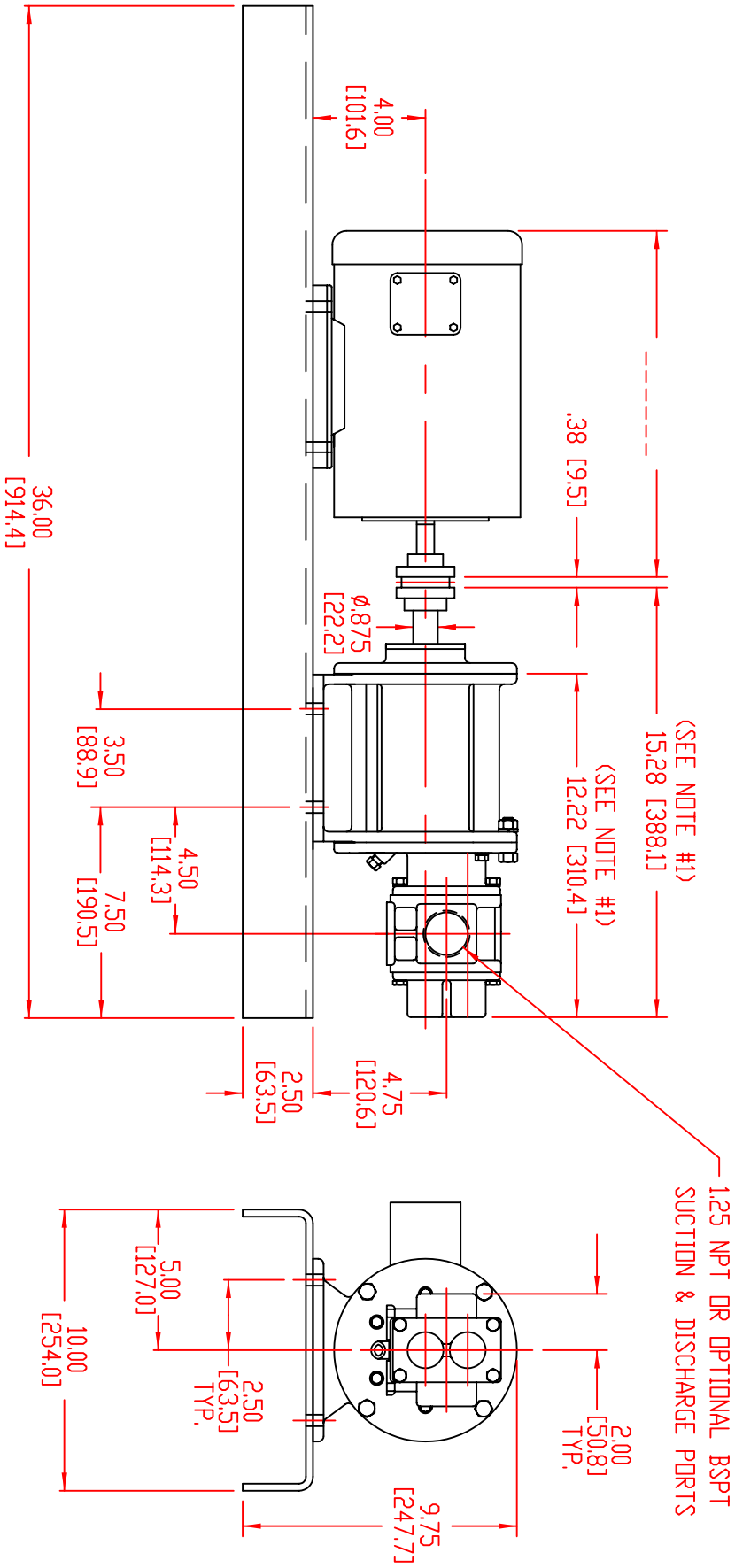


LIQUIFLO EQUIPMENT CO.  
GARWOOD, N.J. 07027

MODEL: ROTOGEAR MAG-DRIVE, 39F & H9F,  
WITH S-ADAPTER, BASE ASSEMBLED

SERIES  
3 & H

DWG. NO. 20127 REV. C



NOTES:

1) ADD .31 [7.9] FOR BEARING FLUSH PLUGS.

