

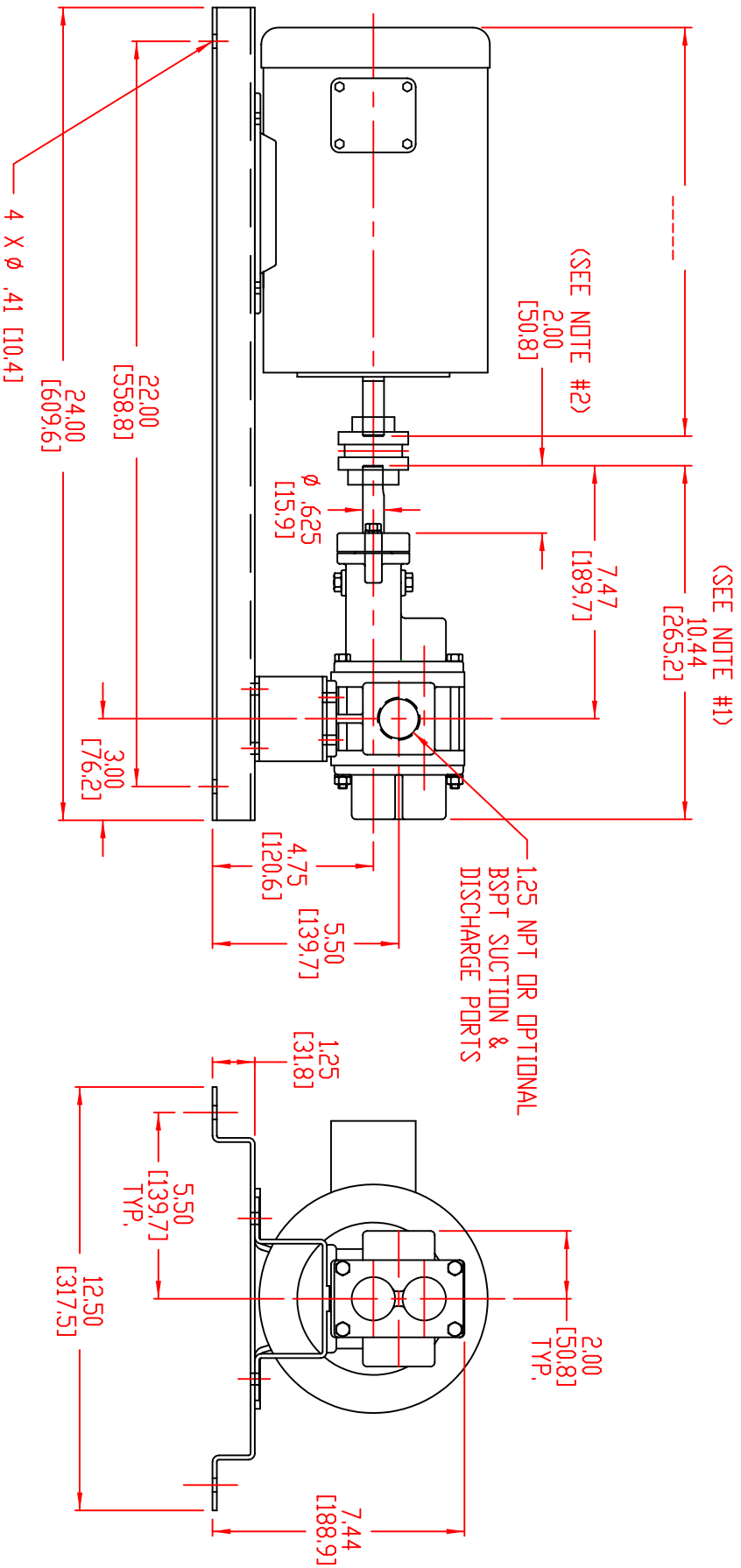


LIQUIFLO EQUIPMENT CO.
GARWOOD, N.J. 07027

MODEL: ROTOGEAR SEALED, 39F & H9F, SINGLE &
DOUBLE MECHANICAL, BASE ASSEMBLED

SERIES
3 & H

DWG. NO. 20402 REV. C



NOTES:

- 1) ADD .31 [7.91] FOR BEARING FLUSH PLUGS.
- 2) .031 [.8] BETWEEN CPLG. AND GLAND PLATE.

