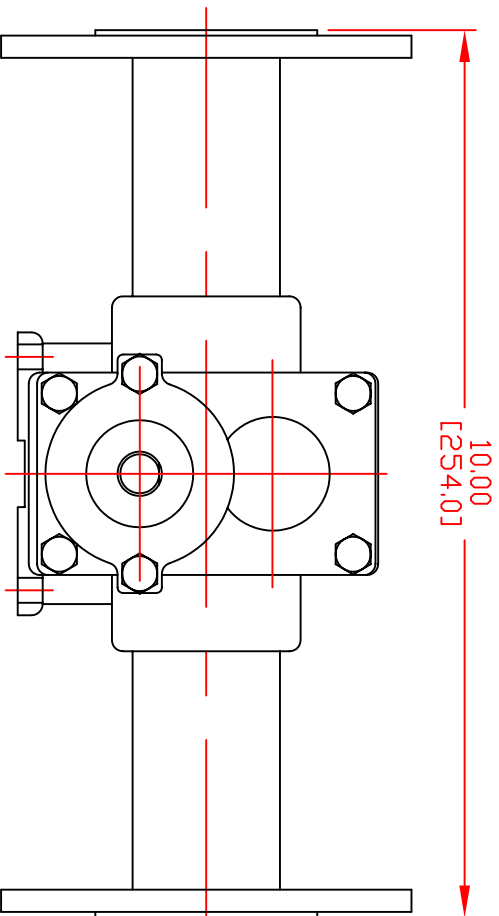
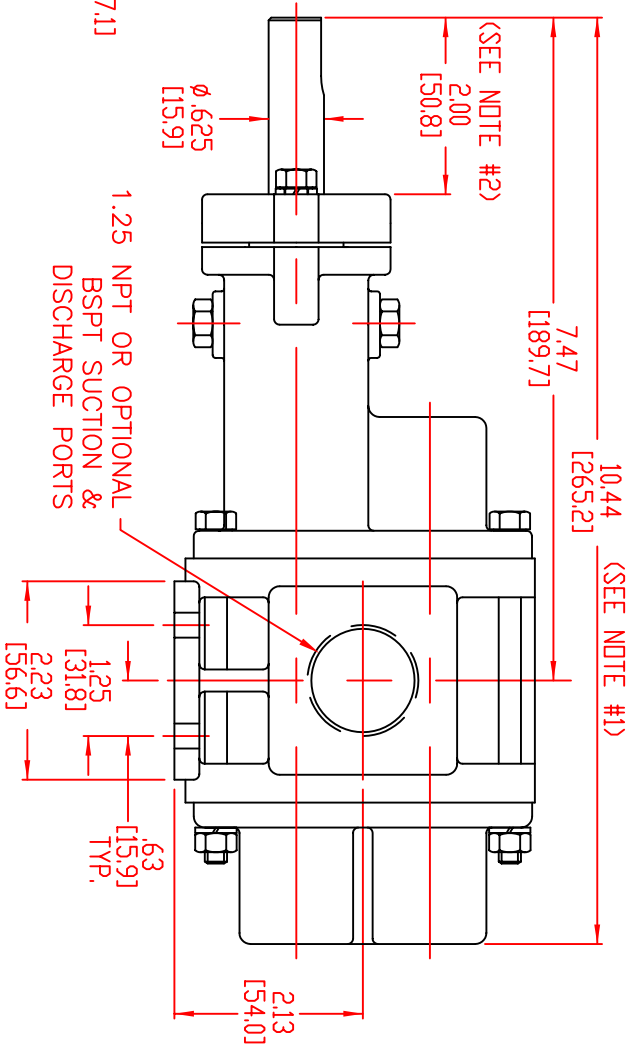
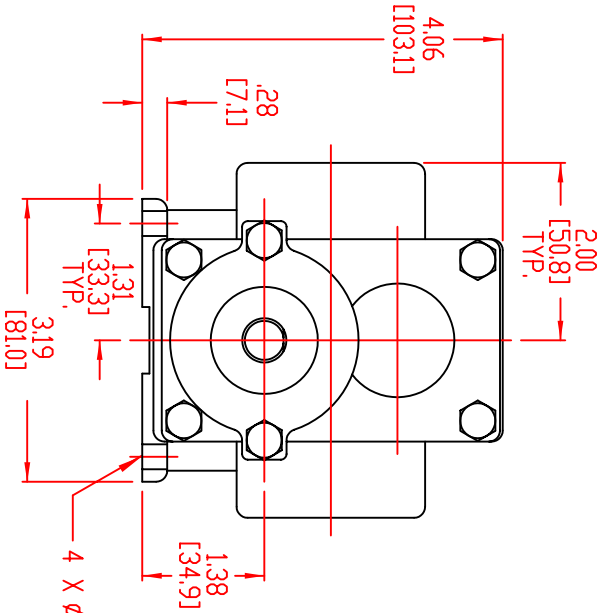




LIQUIFLO EQUIPMENT CO.  
GARWOOD, N.J. 07027

MODEL: ROTOGEAR SEALED, 39F & H9F, SINGLE &  
DOUBLE MECHANICAL, BARE PUMP  
DWG. NO. 20400 REV. D

SERIES  
3 & H



OPTIONAL RF FLANGE  
CONNECTIONS:  
1.25" ANSI 150# OR  
DIN PN16 SIZE 32

- NOTES:  
1) ADD .31 [7.9] FOR BEARING FLUSH PLUGS.  
2) .031 [8] BETWEEN CPLG. & GLAND PLATE.

