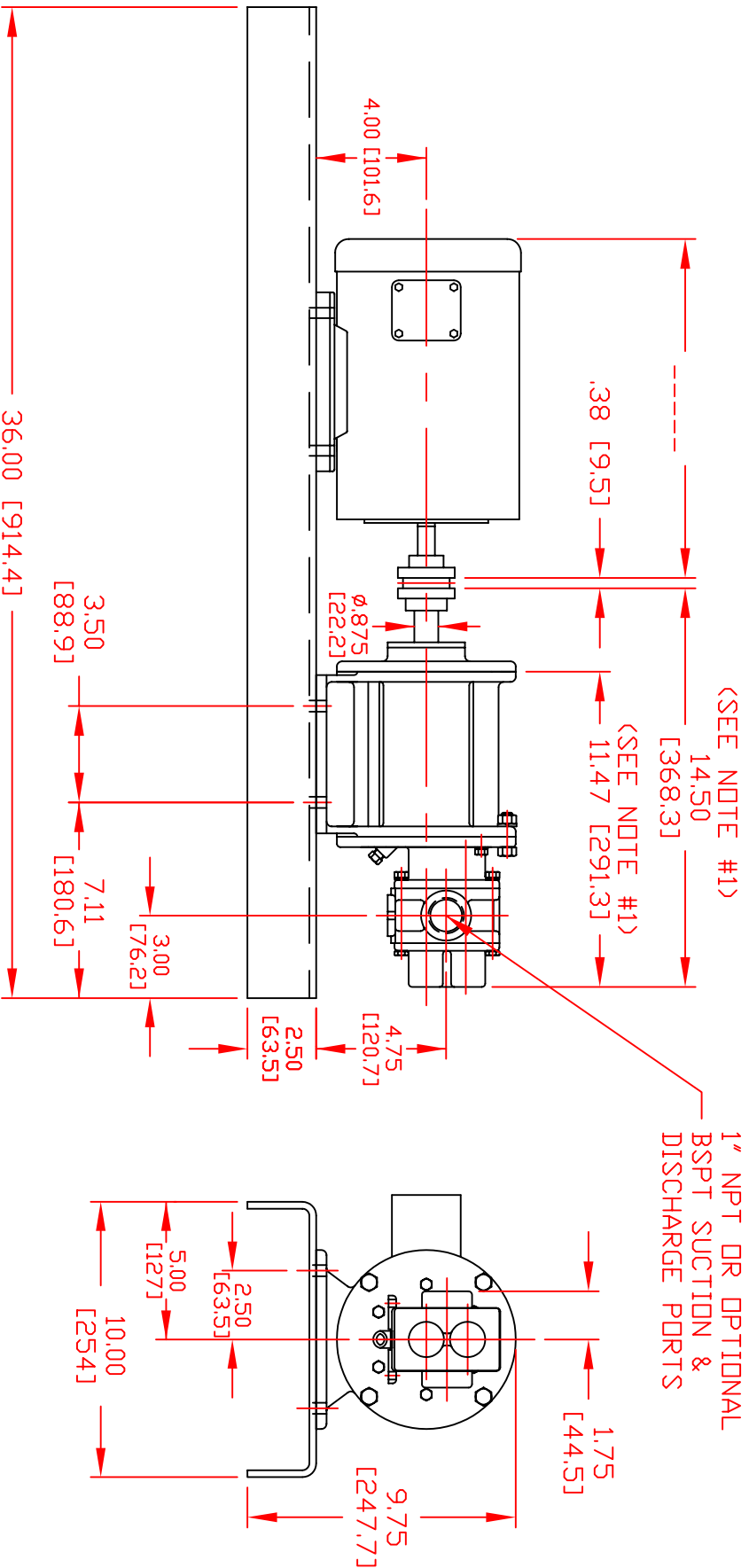




LIQUIFLO EQUIPMENT CO.
GARWOOD, N.J. 07027

MODEL: ROTOGEAR MAG-DRIVE, 39R & H9R,
WITH S-ADAPTER, BASE ASSEMBLED
DWG. NO. 20412 REV. C

SERIES
3 & H



NOTES:
1) ADD .31 [7.9] FOR BEARING FLUSH PLUGS.

