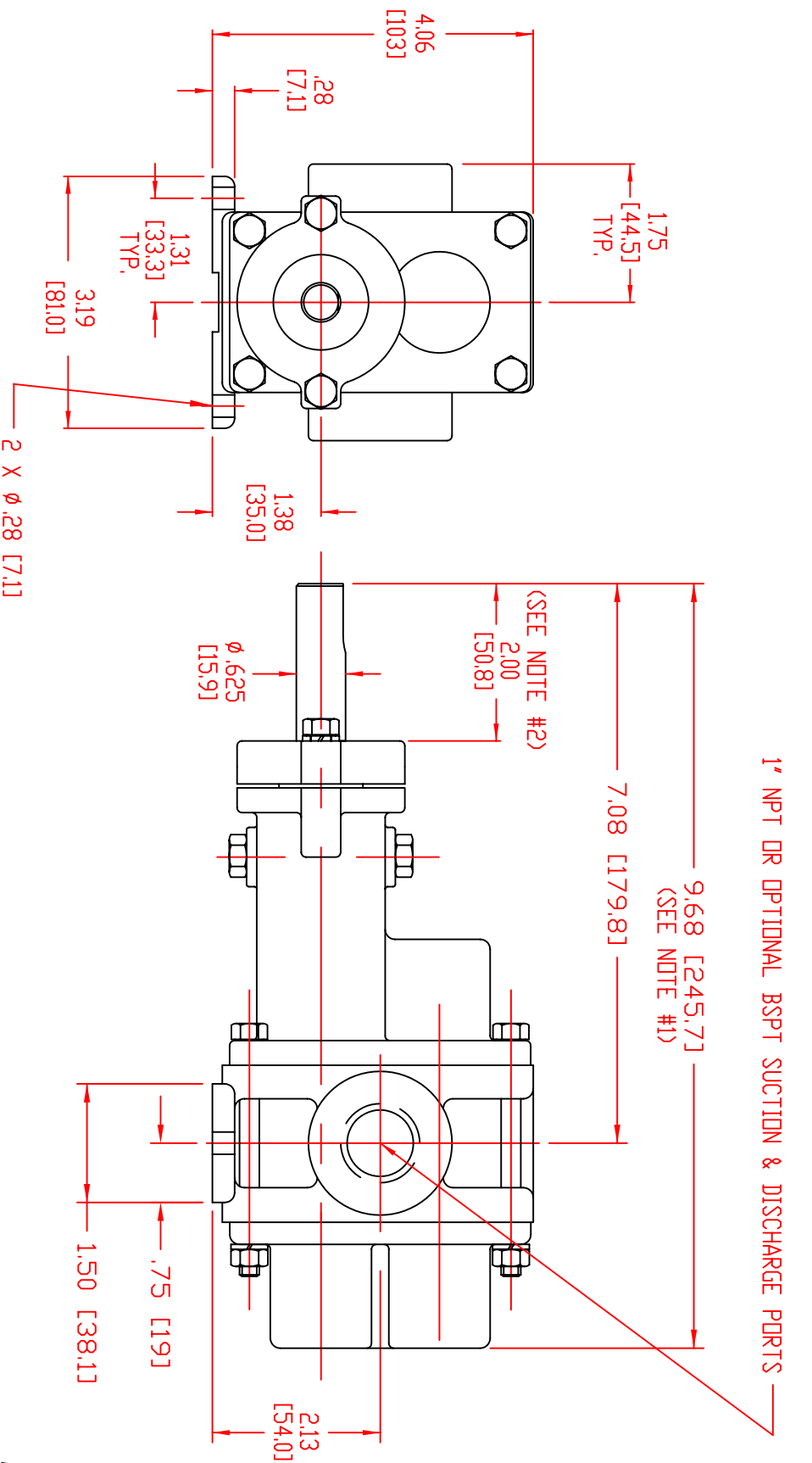




LIQUIFLO EQUIPMENT CO.  
GARWOOD, N.J. 07027

MODEL: ROTOGEAR SEALED, 39R & H9R, SINGLE &  
DOUBLE MECHANICAL, BARE PUMP  
DWG. NO. 20409 REV. A

SERIES  
3 & H



NOTES:

- 1) ADD .31 [7.9] FOR BEARING FLUSH PLUGS.
- 2) .031 [8] BETWEEN CPLG. AND GLAND PLATE.

