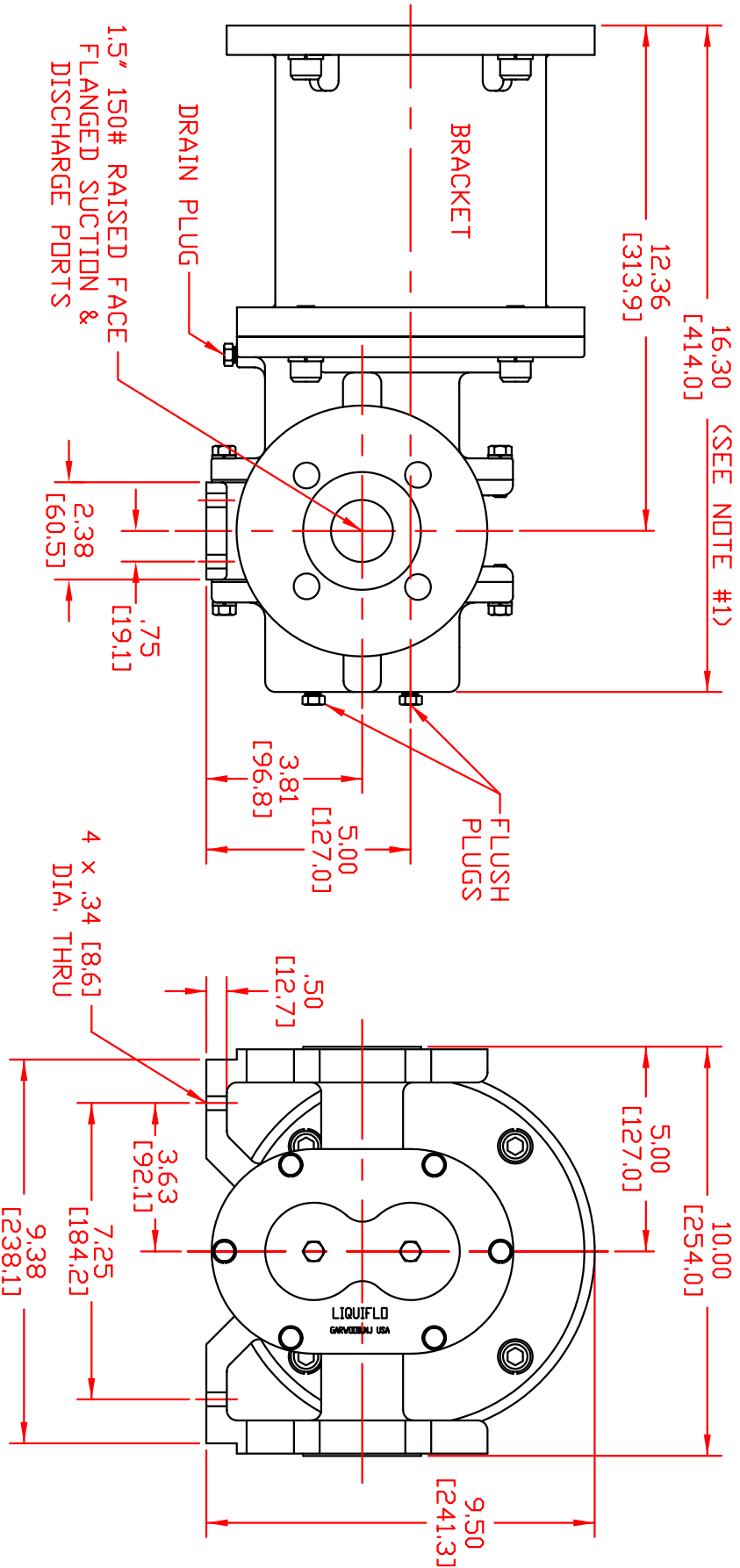




LIQUIFLO EQUIPMENT CO.  
GARWOOD, N.J. 07027

MODEL: H12F & H12R MAG-DRIVE GEAR PUMP,  
CLOSE-COUPLED, FLANGED PORTS  
DWG. NO. 20165 REV. ---

SERIES  
H



NOTES:

1) ADD .31 [7.9] FOR BEARING FLUSH PLUGS.

