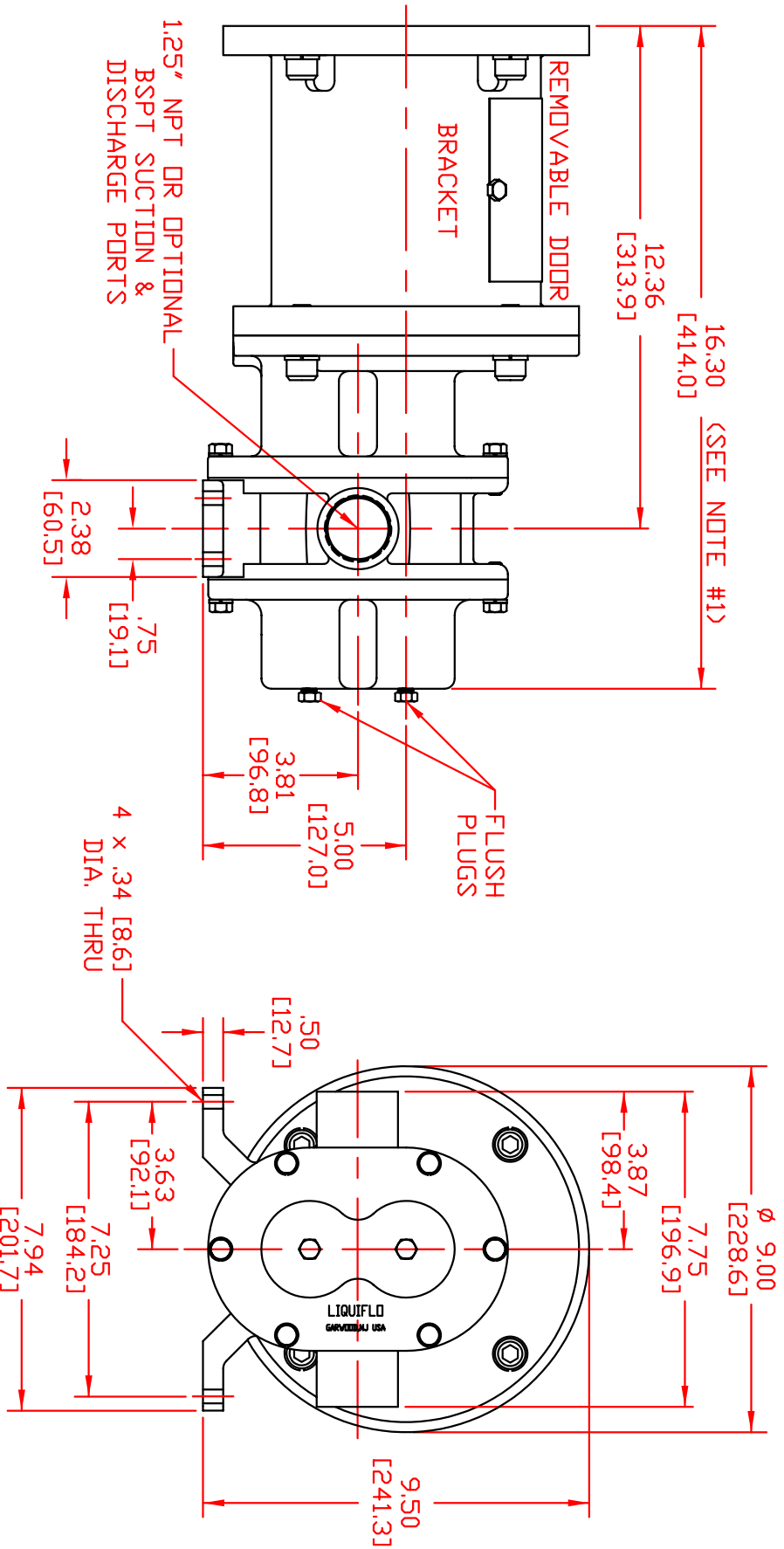




LIQUIFLO EQUIPMENT CO.
GARWOOD, N.J. 07027

MODEL: H12F & H12R SEALED GEAR PUMP,
CLOSE-COUPLED, THREADED PORTS
DWG. NO. 20160 REV. ---

SERIES
H



NOTES:

1) ADD .31 [7.9] FOR BEARING FLUSH PLUGS.

