

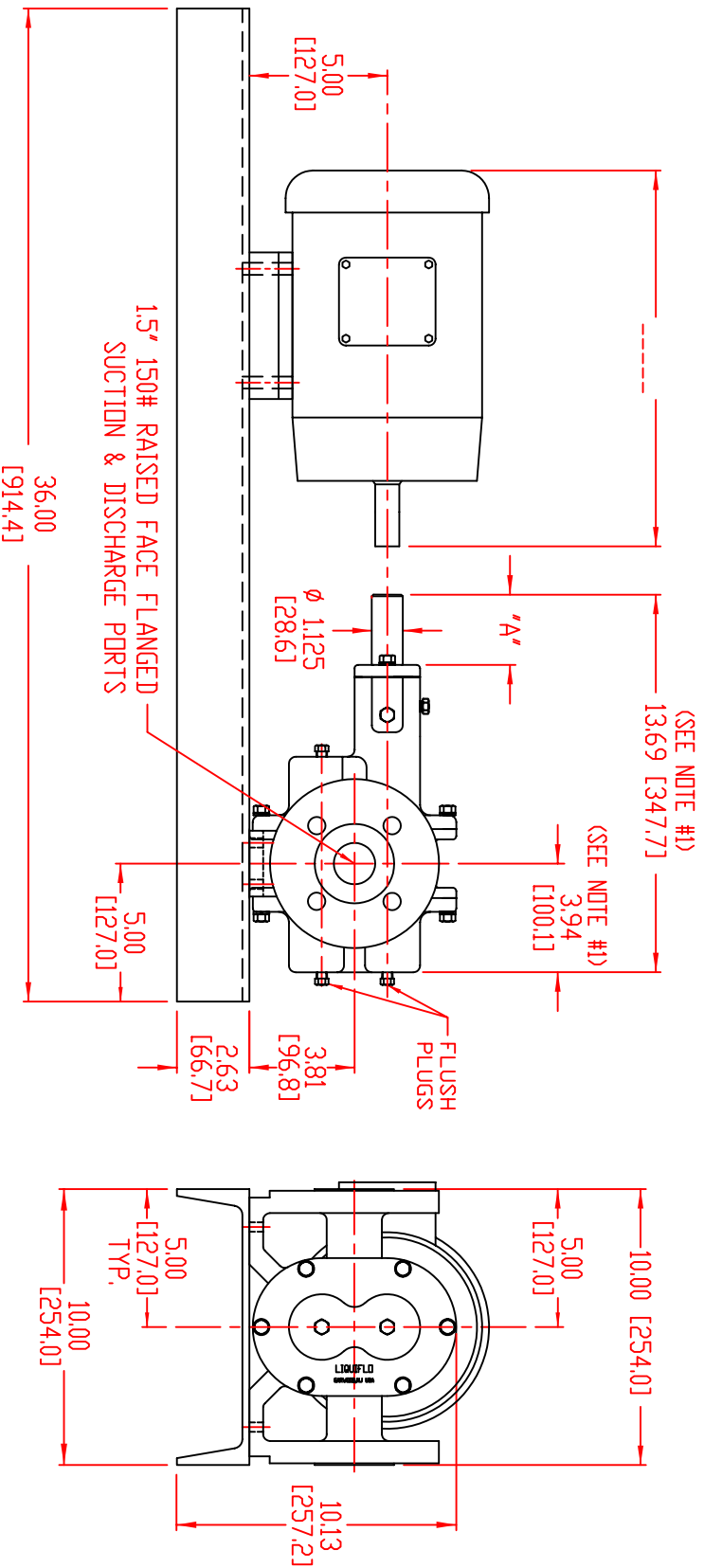


LIQUIFLO EQUIPMENT CO.
GARWOOD, N.J. 07027

MODEL: ROTTOGEAR SEALED, H12F & H12R,
BASE ASSEMBLED, FLANGED PORTS

SERIES
H

SEAL TYPES	"A" DIMEN.
INTERN. SING. & DBL. MECH.	2.56 [65.0]
PACKING	2.28 [57.9]



NOTES:
1) ADD .31 [7.9] FOR BEARING FLUSH PLUGS.

