



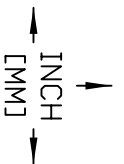
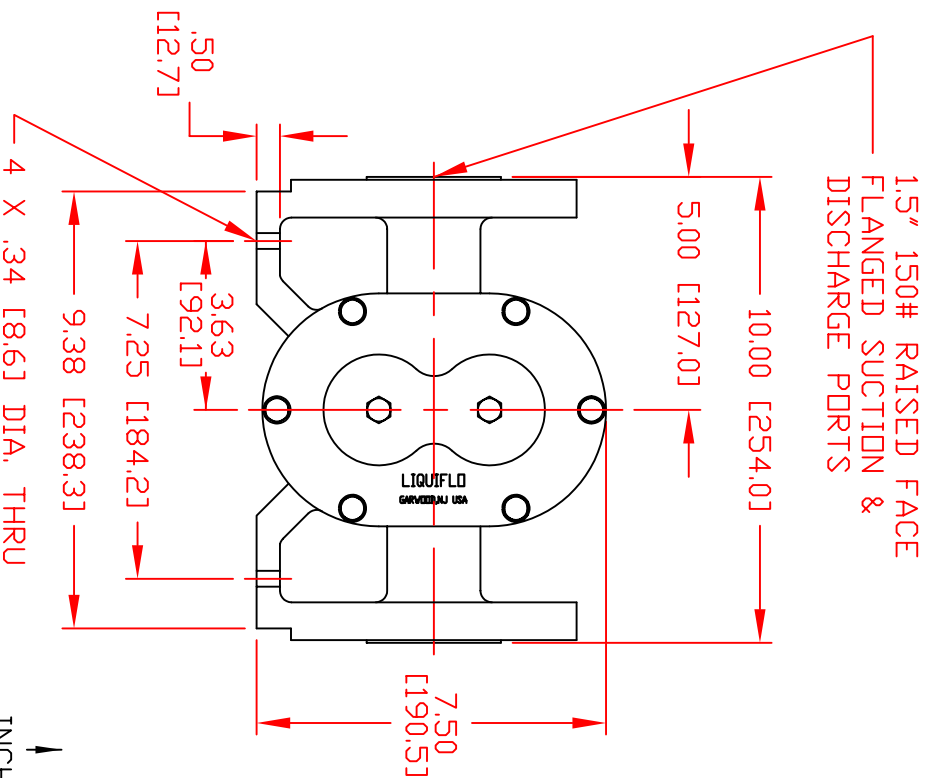
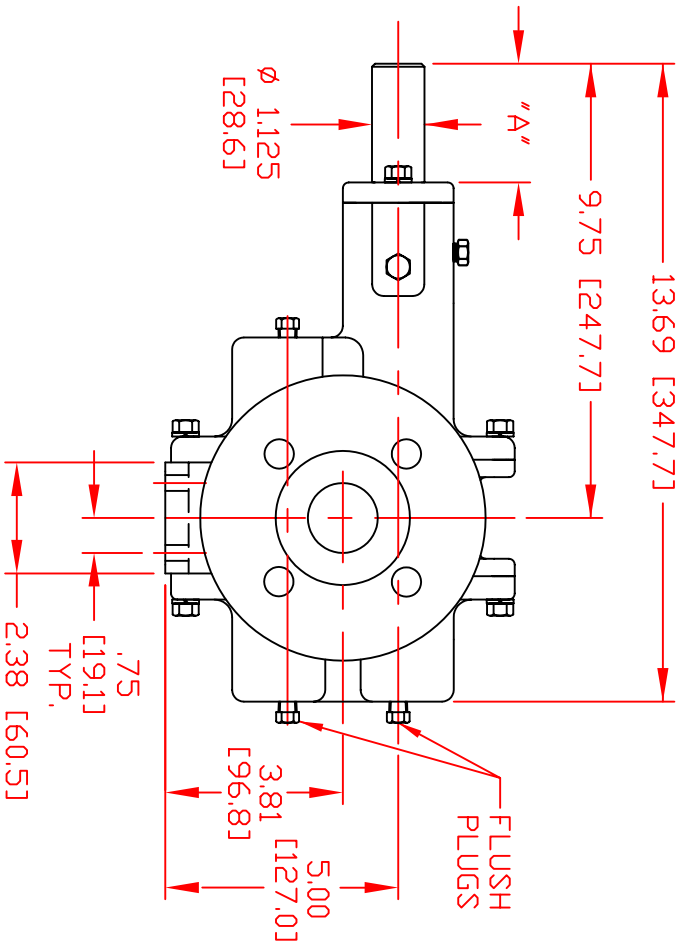
LIQUIFLO EQUIPMENT CO.
GARWOOD, N.J. 07027

MODEL: ROTOGEAR SEALED, H12F & H12R,
BARE PUMP, FLANGED PORTS
DWG. NO. 20550 REV. C

SERIES
H

SEAL TYPES	"A" DIMEN.
INTERN. SING. & DBL. MECH. PACKING	2.56 [65.0] 2.28 [57.9]

<SEE NOTE #1>



NOTES:
1) ADD .31 [7.9] FOR BEARING FLUSH PLUGS.