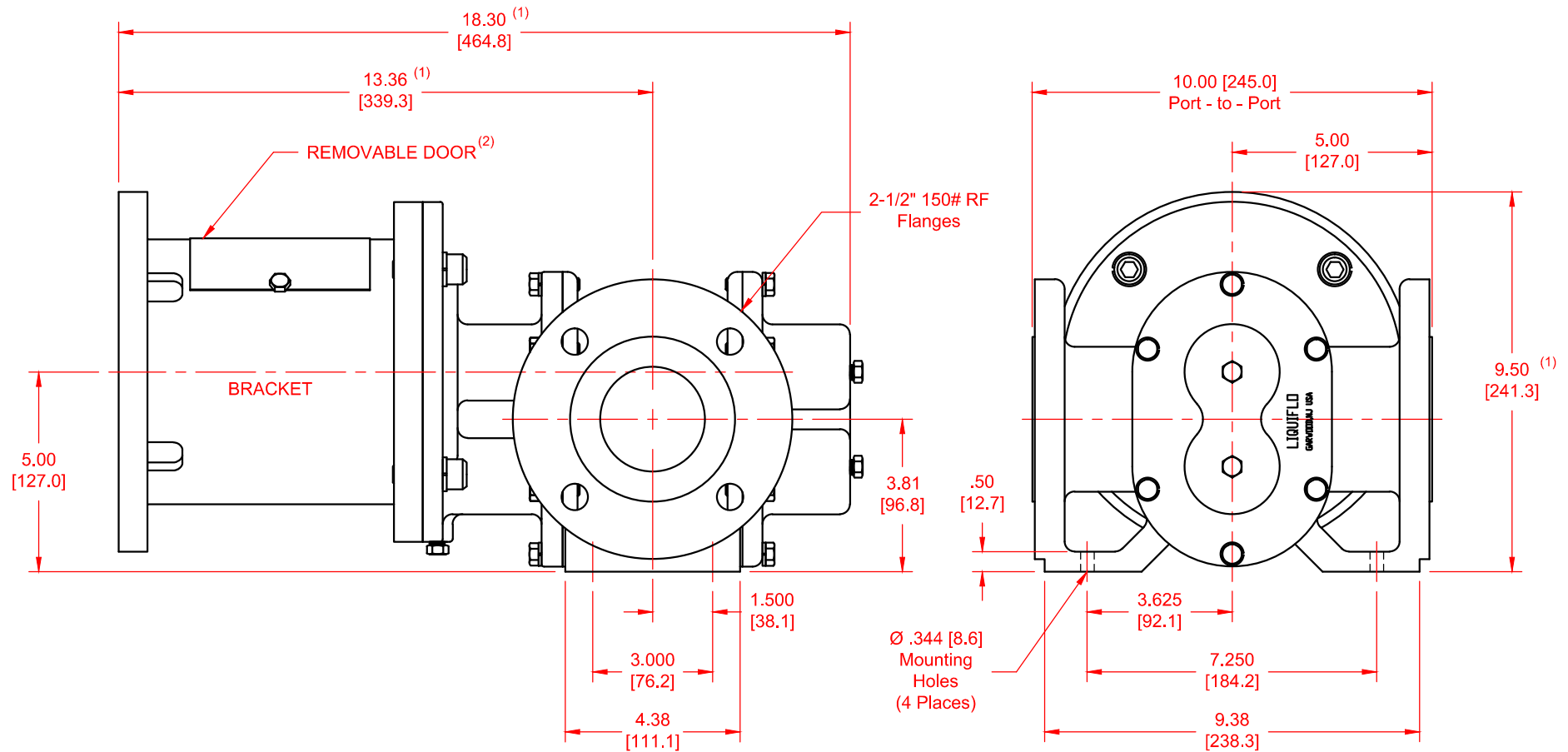


| SERIES | MODEL | CONFIGURATION | SEAL TYPE |
|----------|-------|--|---|
| H-Series | H14F | Sealed or Mag-Drive Gear Pump Close-Coupled Version with ANSI RF Flanges | Single or Double Mechanical Seal or Mag-Drive (Sealless) |

UNITS: inches [mm]



NOTES:

- 1) Applies for NEMA 182/184TC & 213/215TC motors.
- 2) Enables access to mechanical coupling; not applicable for Mag-drive pumps.