



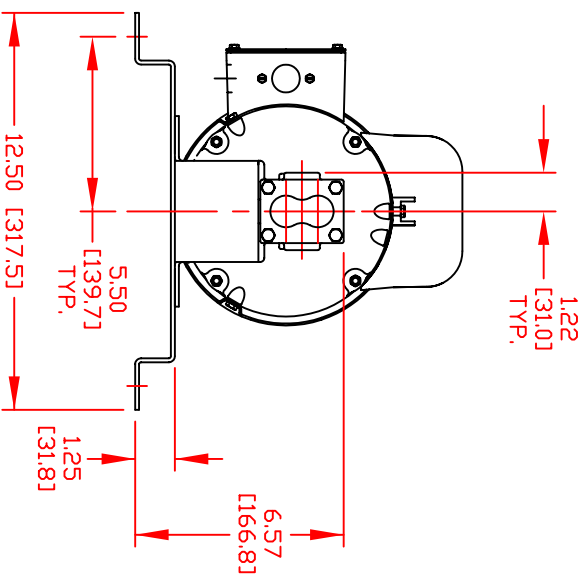
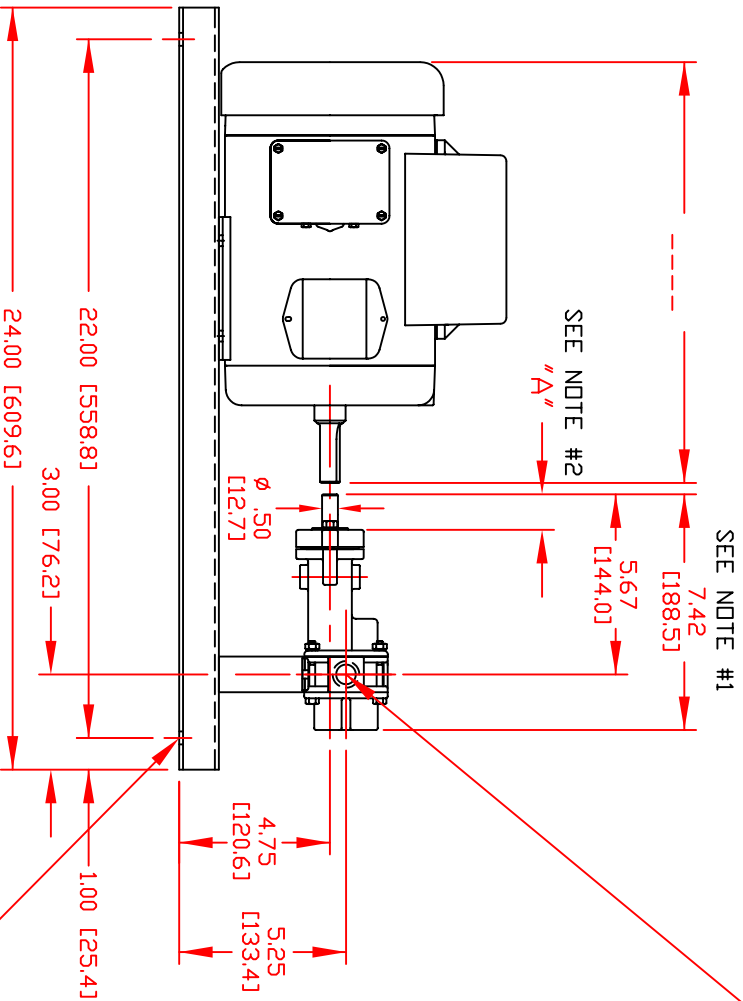
LIQUIFLD EQUIPMENT CO.  
GARWOOD, N.J. 07027

MODEL: HSF & HSR SEALED GEAR PUMP,  
BASE ASSEMBLED

SERIES  
H

DWG. NO. 20600 REV. C

SEAL TYPES	'A' DIMEN.
SING. INT. & DBL. MECH.	1.12 [28.4]
PACKING	1.13 [28.7]



.50 NPT OR OPTIONAL BSPT  
SUCTION & DISCHARGE PORTS

NOTES:

- 1) ADD .31 [7.9] FOR BEARING FLUSH PLUGS.
- 2) .03 [.8] BETWEEN COUPLING & GLAND PLATE.

4 X .41 [10.4] DIA. THRU

