

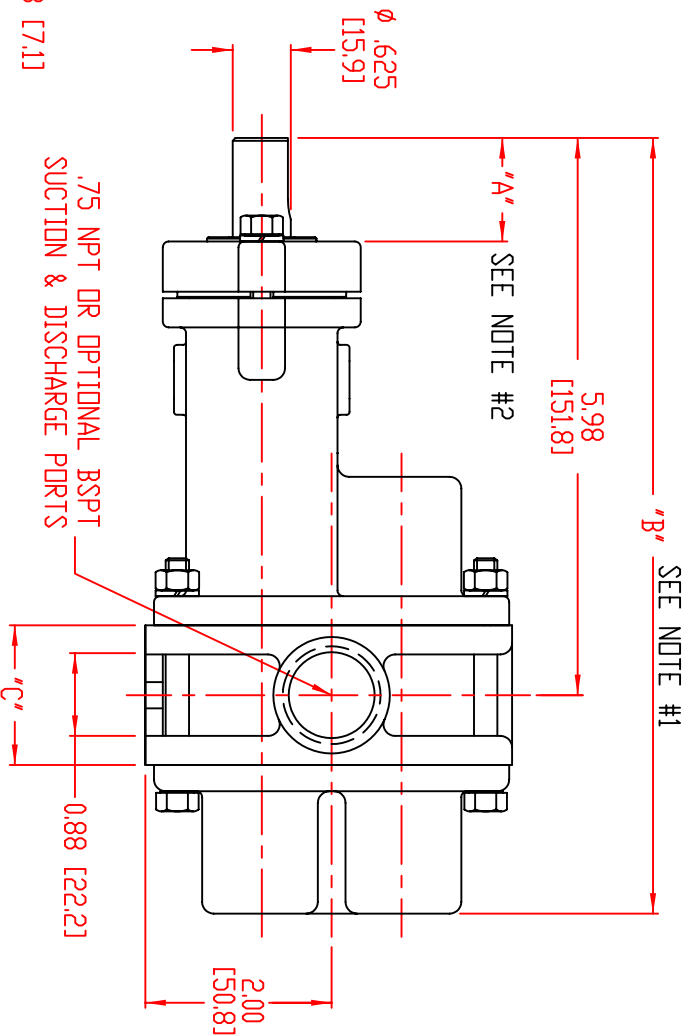
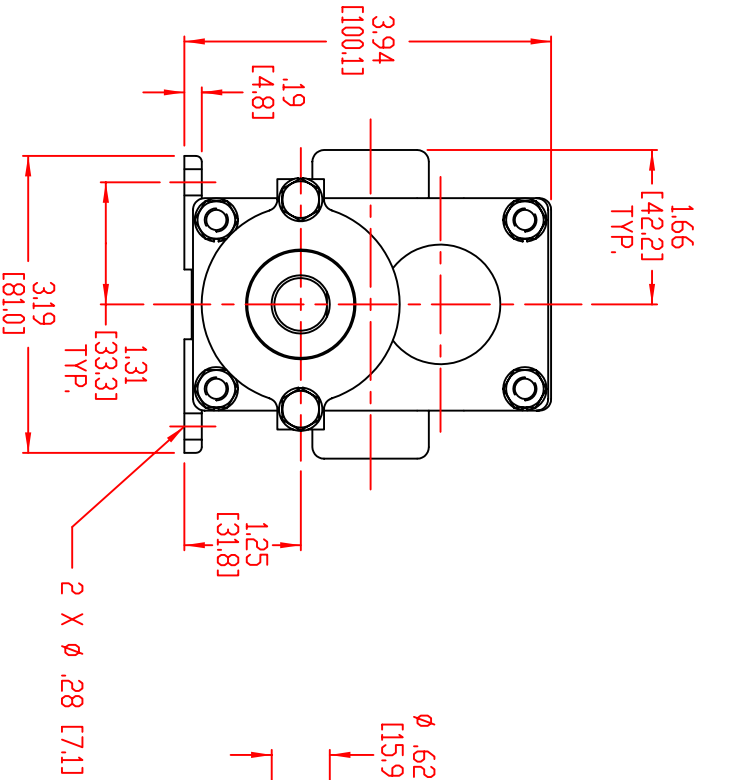


LIQUIFLO EQUIPMENT CO.
GARWOOD, N.J. 07027

MODEL: H7F, H7R & H7N SEALED GEAR PUMP
DWG. NO. 20500 REV. B

SERIES
H

MODEL	SEAL TYPE	'A' DIMEN.	'B' DIMEN.	'C' DIMEN.
H7E	SINGL. INT. & DBL. MECH.	1.11 [28.2]	8.32 [211.3]	1.50 [38.1]
H7F	PACKING	1.13 [28.7]	8.32 [211.3]	1.50 [38.1]
H7R/H7N	SINGL. INT. & DBL. MECH.	1.23 [31.2]	8.20 [208.3]	1.25 [31.8]
H7R/H7N	PACKING	1.25 [31.8]	8.20 [208.3]	1.25 [31.8]



- NOTES:
- 1) ADD .31 [7.9] FOR BEARING FLUSH PLUGS.
 - 2) .03 [0.8] BETWEEN COUPLING AND GLAND PLATE.
 - 3) F = FULL WIDTH GEARS;
R = REDUCED WIDTH GEARS;
N = NARROW WIDTH GEARS.

