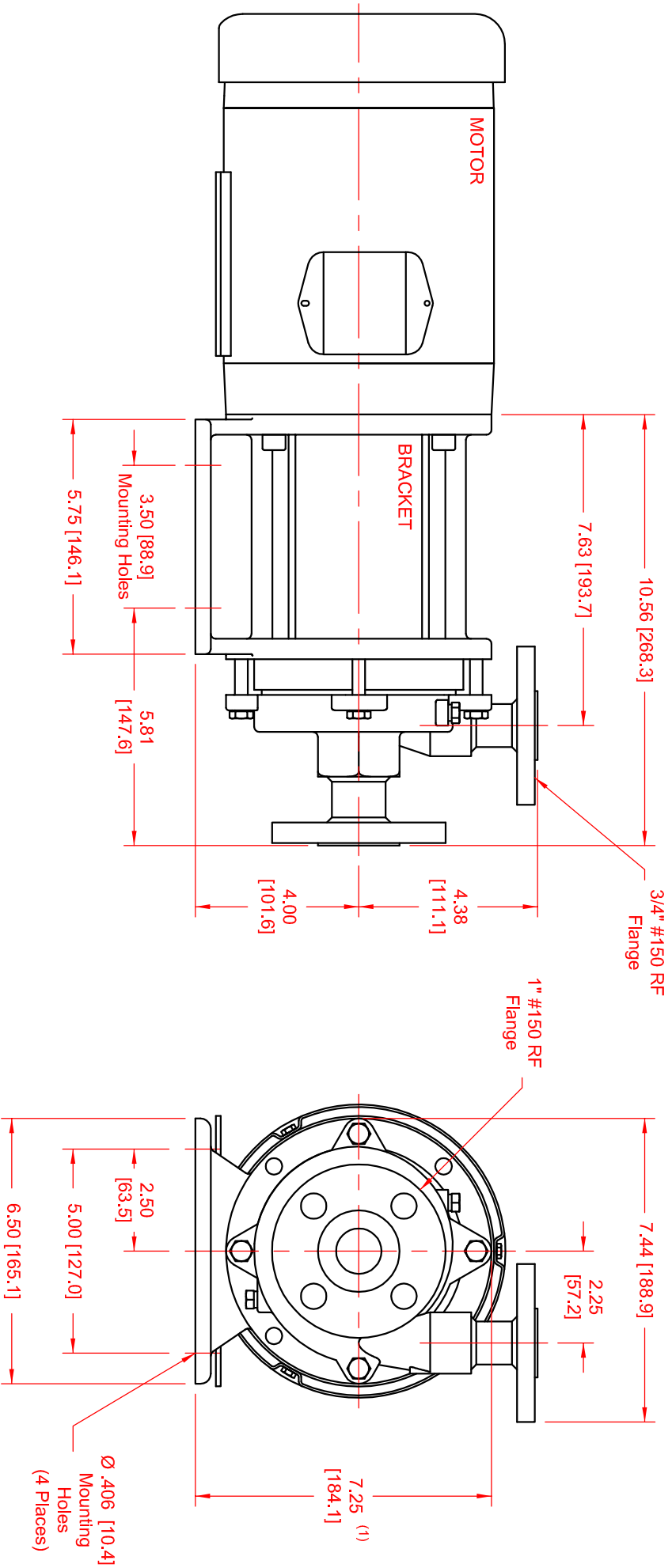


SERIES	MODEL	CONFIGURATION
Century Series	620	Mag-Drive Centrifugal Pump Close-Coupled with RF Flanges.

SEAL TYPE
Mag-Drive (Sealless)

UNITS: inches [mm]



**NOTES:**

1) Dimension to top of Bracket.