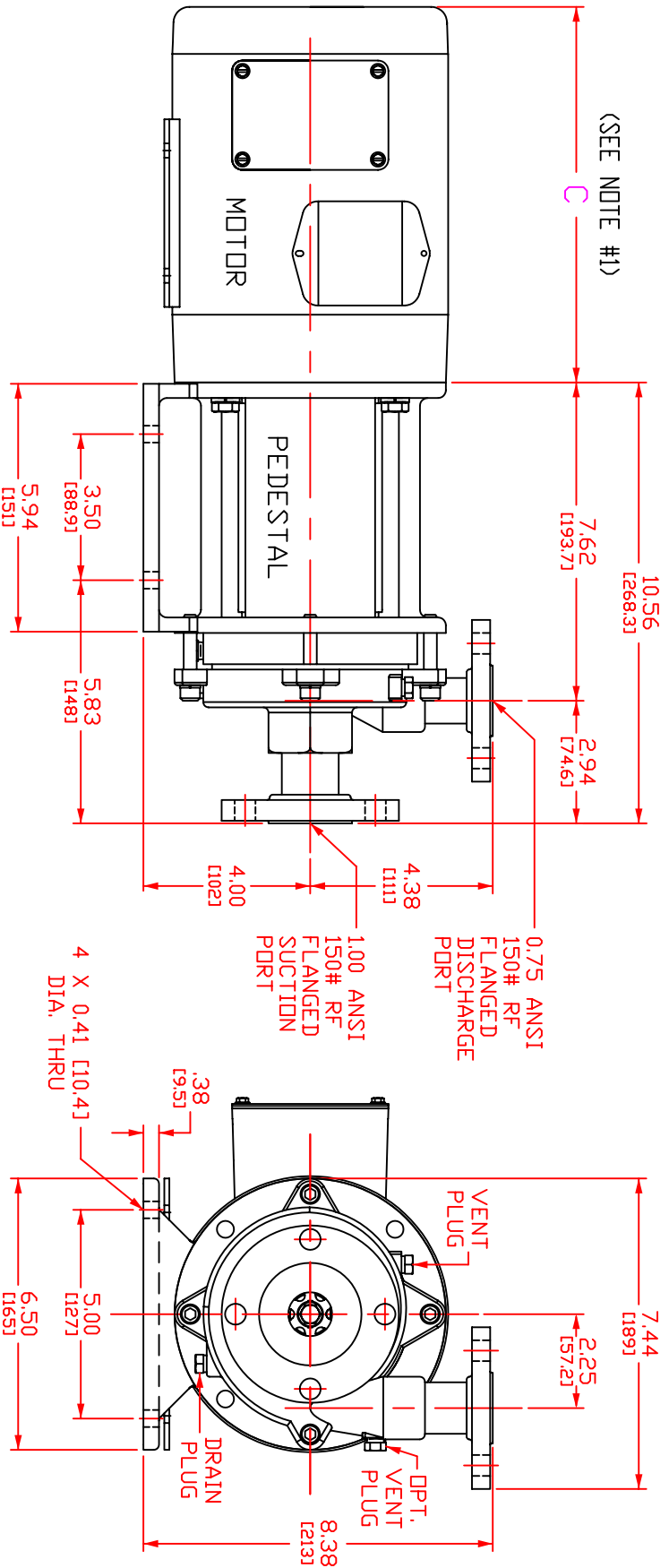




LIQUIFLO EQUIPMENT CO.
GARWOOD, N.J. 07027

MODEL: 620 MAG-DRIVE CENTRIFUGAL PUMP,
CLOSE-COUPLED, FLANGED PORTS
DWG. NO. 20691 REV. ----

SERIES
CENTRY



NOTES:
1) SEE DATA FROM MOTOR MANUFACTURER FOR 'C' DIMENSION.

