



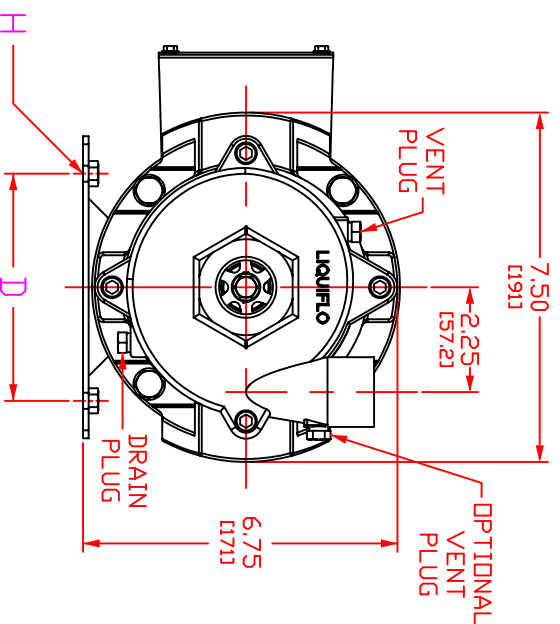
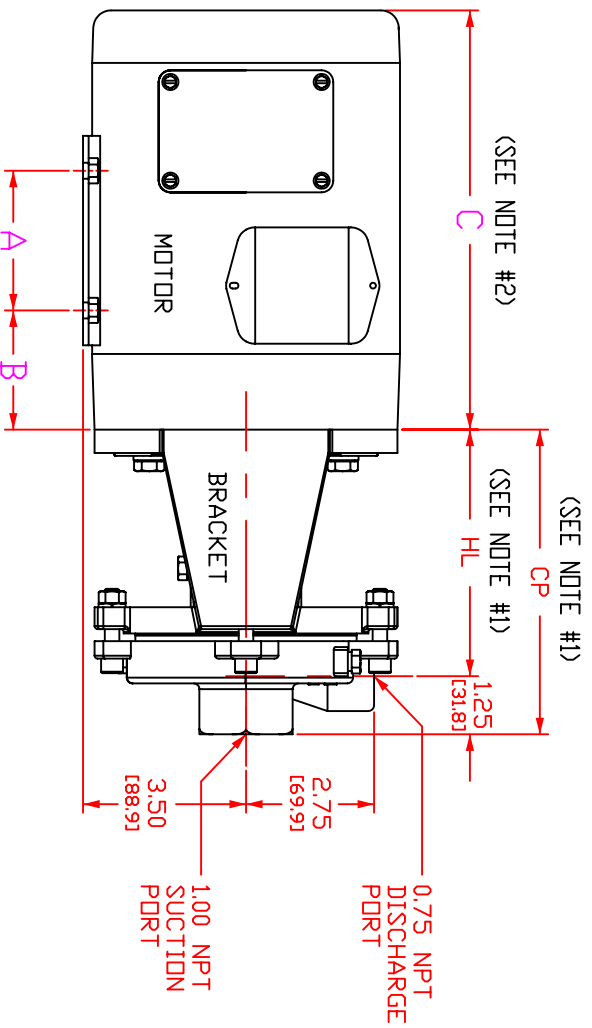
LIQUIFLO EQUIPMENT CO.  
GARWOOD, N.J. 07027

MODEL: 620 SEALED CENTRIFUGAL PUMP,  
CLOSE-COUPLED, NPT PORTS  
DWG. NO. 20680 REV. ---

SERIES  
CENTRY

MOTOR FRAME	DIMENSION		
	A	B	D
NEMA 56C	3.00 [76.2]	2.56 [65.1]	4.87 [124]
NEMA 56HC	5.00 [127]	2.56 [65.1]	4.87 [124]
NEMA 143TC	4.00 [102]	2.87 [73.0]	5.50 [140]
NEMA 145TC	5.00 [127]	2.87 [73.0]	5.50 [140]

SEAL TYPE	DIMENSION	
	CP	HL
SINGLE INT. MECH.	6.54 [166]	5.29 [134]
DOUBLE MECH.	8.25 [210]	7.00 [178]
PACKING	8.25 [210]	7.00 [178]



- NOTES:
- 1) 'CP' & 'HL' DIMENSIONS INCLUDE 1.71 [43.4] WIDE SPACER PLATE (NOT SHOWN) FOR PUMP WITH DOUBLE MECH. SEAL OR PACKING.
  - 2) SEE DATA FROM MOTOR MANUFACTURER FOR 'C' DIMENSION.

