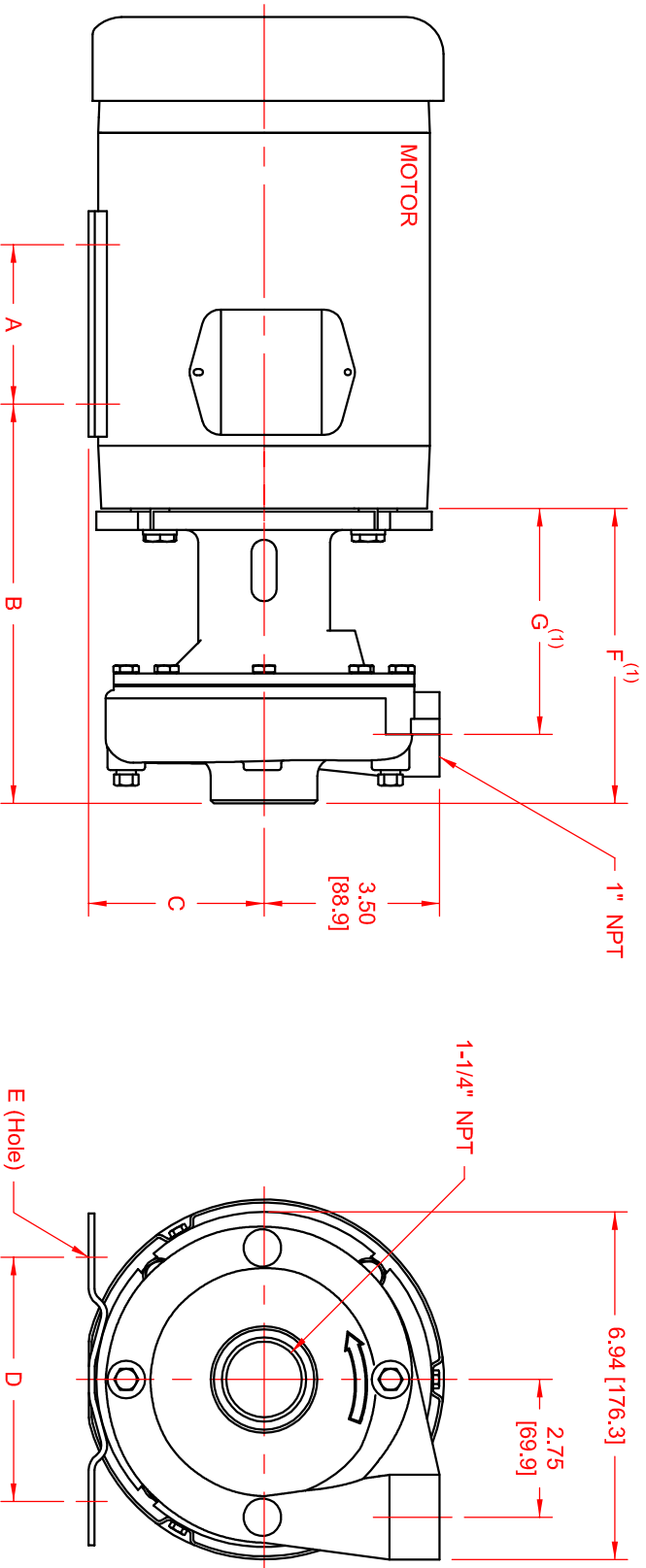


SERIES	MODEL	CONFIGURATION	SEAL TYPE
Century Series	621	Sealed Centrifugal Pump Close-Coupled with NPT Ports.	Single Mechanical Seal

MOTOR	"A"	"B"	"C"	"D"	"E"	"F"	"G"
56C	3.00 [88.9]	8.45 [214.6]	3.50 [88.9]	4.88 [123.8]	0.34 [8.7]	5.89 [149.5]	4.51 [114.6]
143TC	4.00 [101.6]	8.76 [222.5]	3.50 [88.9]	5.50 [139.7]	0.34 [8.7]	5.89 [149.5]	4.51 [114.6]
145TC	5.00 [127.0]	8.76 [222.5]	3.50 [88.9]	5.50 [139.7]	0.34 [8.7]	5.89 [149.5]	4.51 [114.6]
182TC	4.50 [114.3]	10.30 [261.7]	4.50 [114.3]	7.50 [190.5]	0.41 [10.3]	6.89 [174.9]	5.51 [140.0]
184TC	5.50 [139.7]	10.30 [261.7]	4.50 [114.3]	7.50 [190.5]	0.41 [10.3]	6.89 [174.9]	5.51 [140.0]

UNITS: inches [mm]



**NOTES:**

1) Dimension includes 1.00 [25.4] thick adapter plate (not shown) for NEMA 182/184TC Motors.