

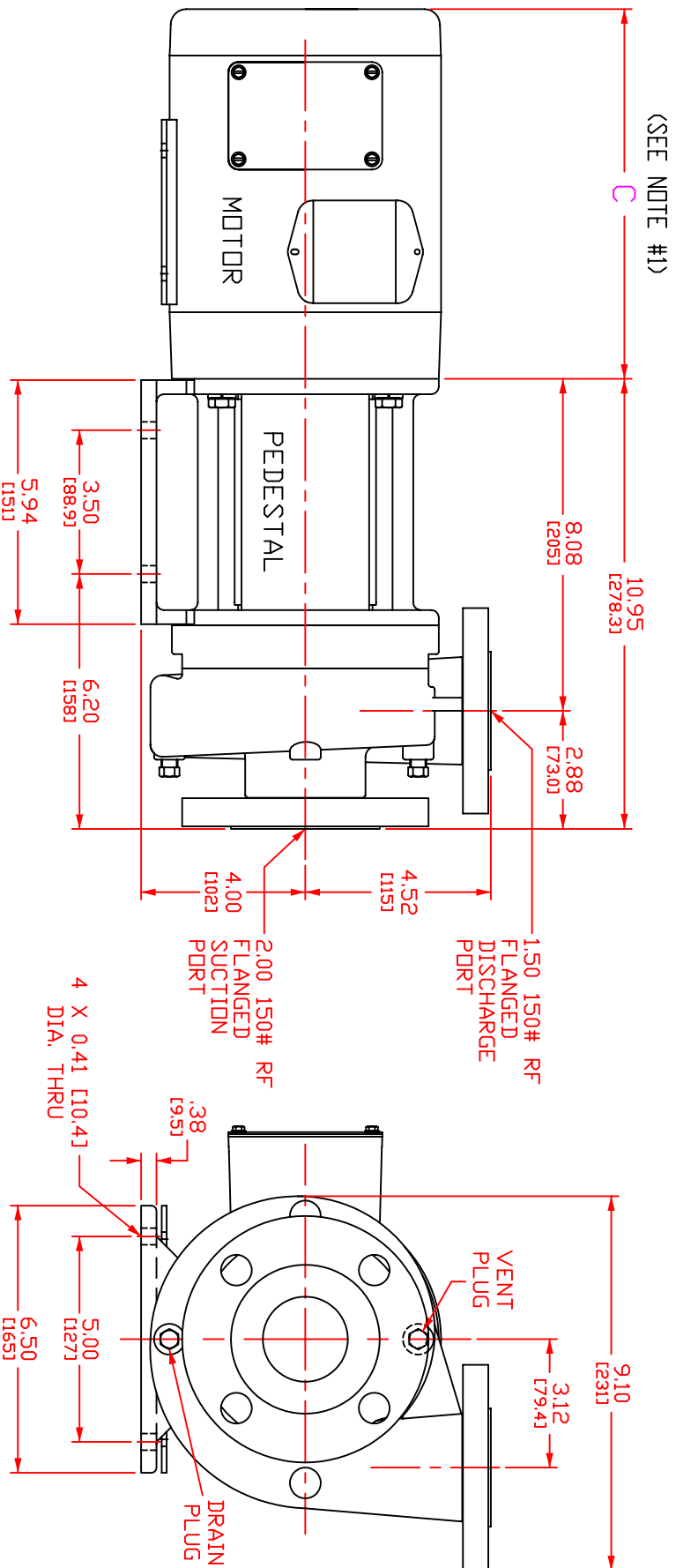


LIQUIFLO EQUIPMENT CO.
GARWOOD, N.J. 07027

MODEL: 622 MAG-DRIVE CENTRIFUGAL PUMP,
CLOSE-COUPLED, FLANGED PORTS

SERIES
CENTRY

DWG. NO. 20731 REV. ----



NOTES:
1) SEE DATA FROM MOTOR MANUFACTURER FOR 'C' DIMENSION.

