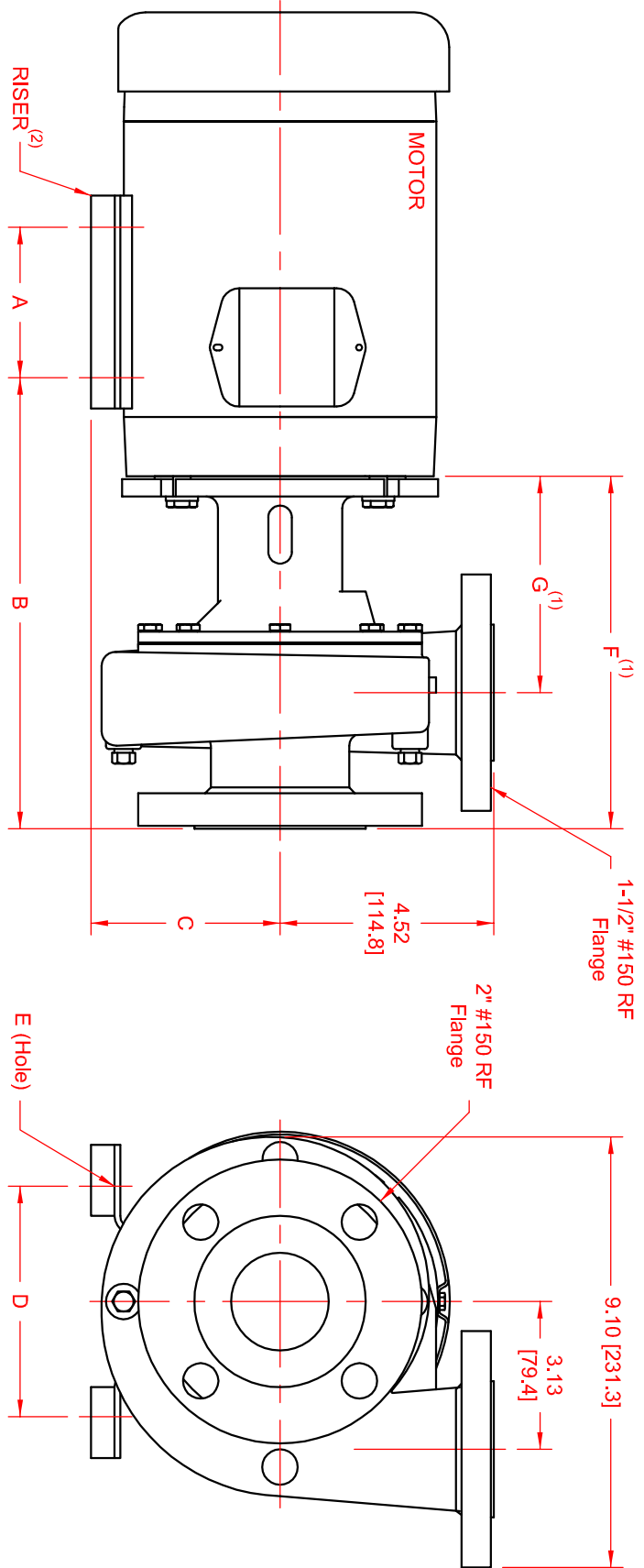


SERIES	MODEL	CONFIGURATION	SEAL TYPE
Century Series	622	Sealed Centrifugal Pump Close-Coupled with RF Flanges.	Single Mechanical Seal

MOTOR	"A"	"B"	"C"	"D"	"E"	"F"	"G"
56C	3.00 [88.9]	10.02 [254.4]	4.00 [101.6]	4.88 [123.8]	4.58 [116.3]	7.46 [189.4]	4.58 [116.3]
143TC	4.00 [101.6]	10.33 [262.4]	4.00 [101.6]	5.50 [139.7]	4.58 [116.3]	7.46 [189.4]	4.58 [116.3]
145TC	5.00 [127.0]	10.33 [262.4]	4.00 [101.6]	5.50 [139.7]	4.58 [116.3]	7.46 [189.4]	4.58 [116.3]
182TC	4.50 [114.3]	11.87 [301.6]	4.50 [114.3]	7.50 [190.5]	5.58 [141.7]	8.46 [214.8]	5.58 [141.7]
184TC	5.50 [139.7]	11.87 [301.6]	4.50 [114.3]	7.50 [190.5]	5.58 [141.7]	8.46 [214.8]	5.58 [141.7]

UNITS: inches [mm]



- NOTES:**
- 1) Dimension includes 1.00 [25.4] thick adapter plate (not shown) for NEMA 182/184TC Motors.
 - 2) Riser 0.50 [12.7] thick applies for NEMA 56C thru 145TC Motors.