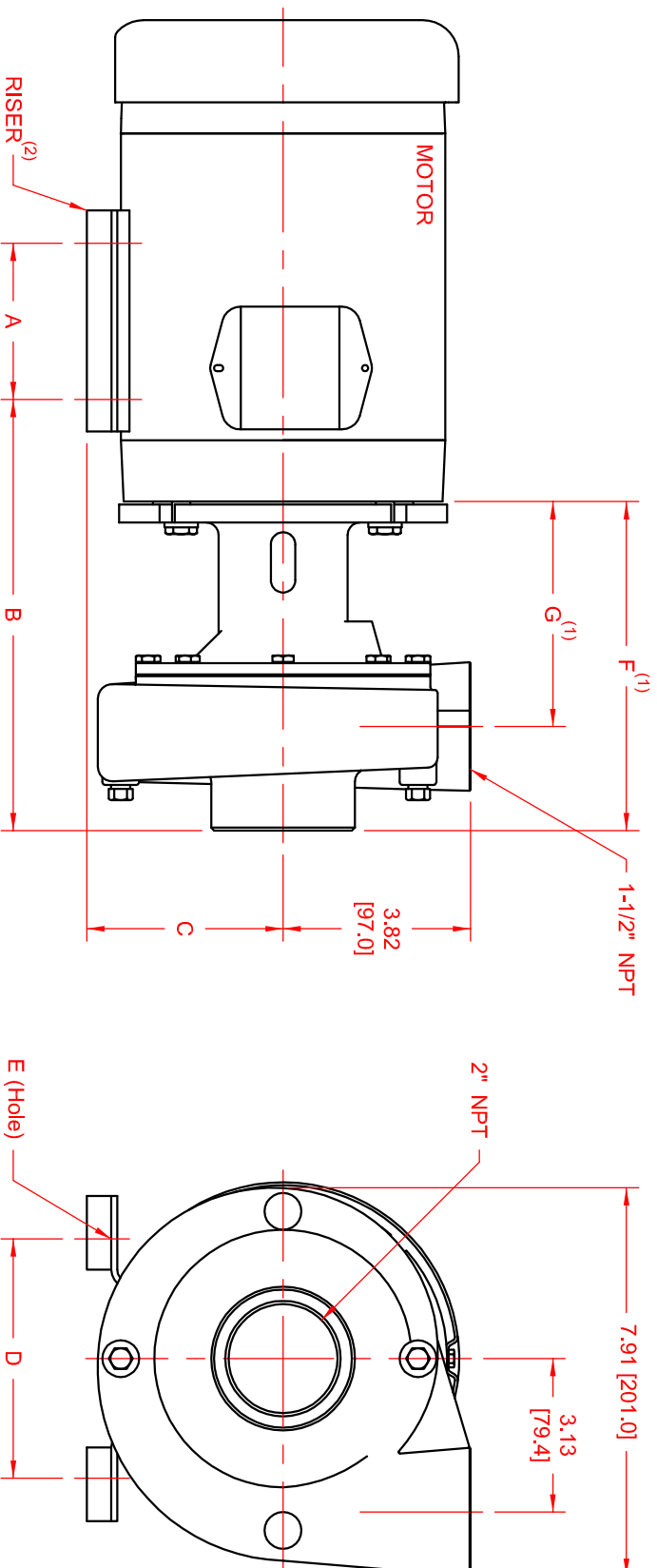


| SERIES         | MODEL | CONFIGURATION   | SEAL TYPE              |
|----------------|-------|---|------------------------|
| Century Series | 622   | Sealed Centrifugal Pump<br>Close-Coupled<br>with NPT Ports. | Single Mechanical Seal |

| MOTOR | "A"          | "B"           | "C"          | "D"          | "E"         | "F"          | "G"          |
|-------|--------------|---------------|--------------|--------------|-------------|--------------|--------------|
| 56C   | 3.00 [88.9]  | 9.26 [235.3]  | 4.00 [101.6] | 4.88 [123.8] | 0.34 [8.7]  | 6.70 [170.2] | 4.58 [116.3] |
| 143TC | 4.00 [101.6] | 9.58 [243.2]  | 4.00 [101.6] | 5.50 [139.7] | 0.34 [8.7]  | 6.70 [170.2] | 4.58 [116.3] |
| 145TC | 5.00 [127.0] | 9.58 [243.2]  | 4.00 [101.6] | 5.50 [139.7] | 0.34 [8.7]  | 6.70 [170.2] | 4.58 [116.3] |
| 182TC | 4.50 [114.3] | 11.12 [282.4] | 4.50 [114.3] | 7.50 [190.5] | 0.41 [10.3] | 7.70 [195.6] | 5.58 [141.7] |
| 184TC | 5.50 [139.7] | 11.12 [282.4] | 4.50 [114.3] | 7.50 [190.5] | 0.41 [10.3] | 7.70 [195.6] | 5.58 [141.7] |

UNITS: inches [mm]



- NOTES:**
- 1) Dimension includes 1.00 [25.4] thick adapter plate (not shown) for NEMA 182/184TC Motors.
  - 2) Riser 0.50 [12.7] thick applies for NEMA 56C thru 145TC Motors.