

SERIES

GROUP

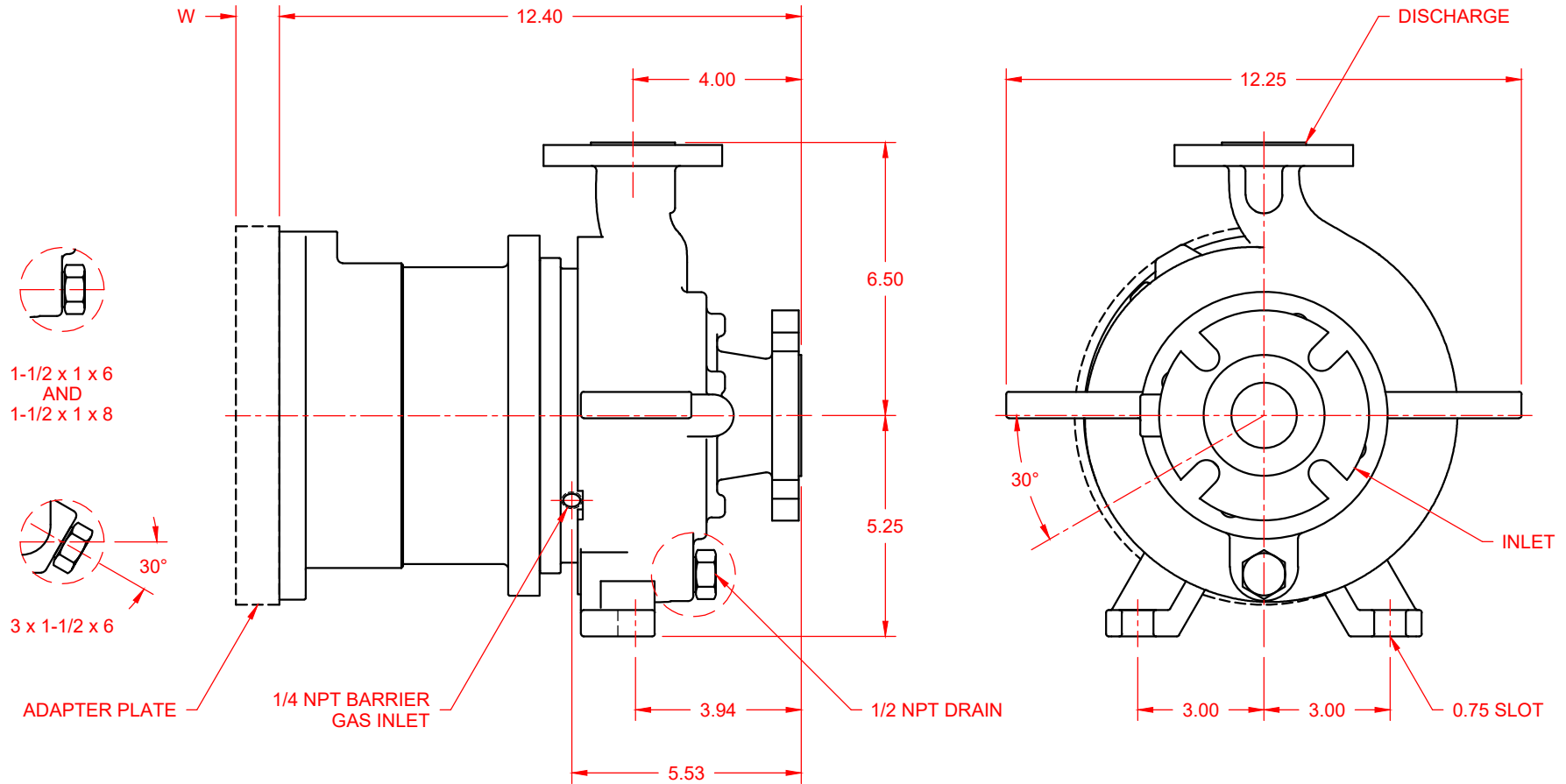
CONFIGURATION

ENDURA

I

ANSI Centrifugal Pump
 Air Barrier Mag-Drive, Close-Coupled Version

UNITS: inches



MOTOR FRAME / ADAPTER PLATE WIDTH

| CASING SIZE | INLET | DISCHARGE | MOTOR FRAME / ADAPTER PLATE WIDTH | | | | | | | | | | |
|---------------|-----------|-----------|-----------------------------------|---------------|---------------|---------------|---------------|---------------|----------------|--------|----------------|---------|---------|
| | | | 56C | 143/ 145TC | 182/ 184TC | 213/ 215TC | 254/ 256TC | 284/ 286TC | 284/ 286TSC | IEC 90 | IEC 100/112 | IEC 132 | IEC 160 |
| 1-1/2 x 1 x 6 | 1-1/2" RF | 1" RF | W | W | W | W | W | W | W | W | W | W | W |
| 1-1/2 x 1 x 6 | 1-1/2" RF | 1" RF | 1.03 | 1.03 | 1.03 | 1.03 | 1.68 | 2.53 | 0.83 | 0.53 | 0.92 | 1.00 | 2.03 |
| 3 x 1-1/2 x 6 | 3" RF | 1-1/2" RF | 1.03 | 1.03 | 1.03 | 1.03 | 1.68 | 2.53 | 0.83 | 0.53 | 0.92 | 1.00 | 2.03 |
| 1-1/2 x 1 x 8 | 1-1/2" RF | 1" RF | 1.03 | 1.03 | 1.03 | 1.03 | 1.68 | 2.53 | 0.83 | 0.53 | 0.92 | 1.00 | 2.03 |

NOTES:

1) Pump requires motor with feet.

DWG. NO. 20810 REV.A