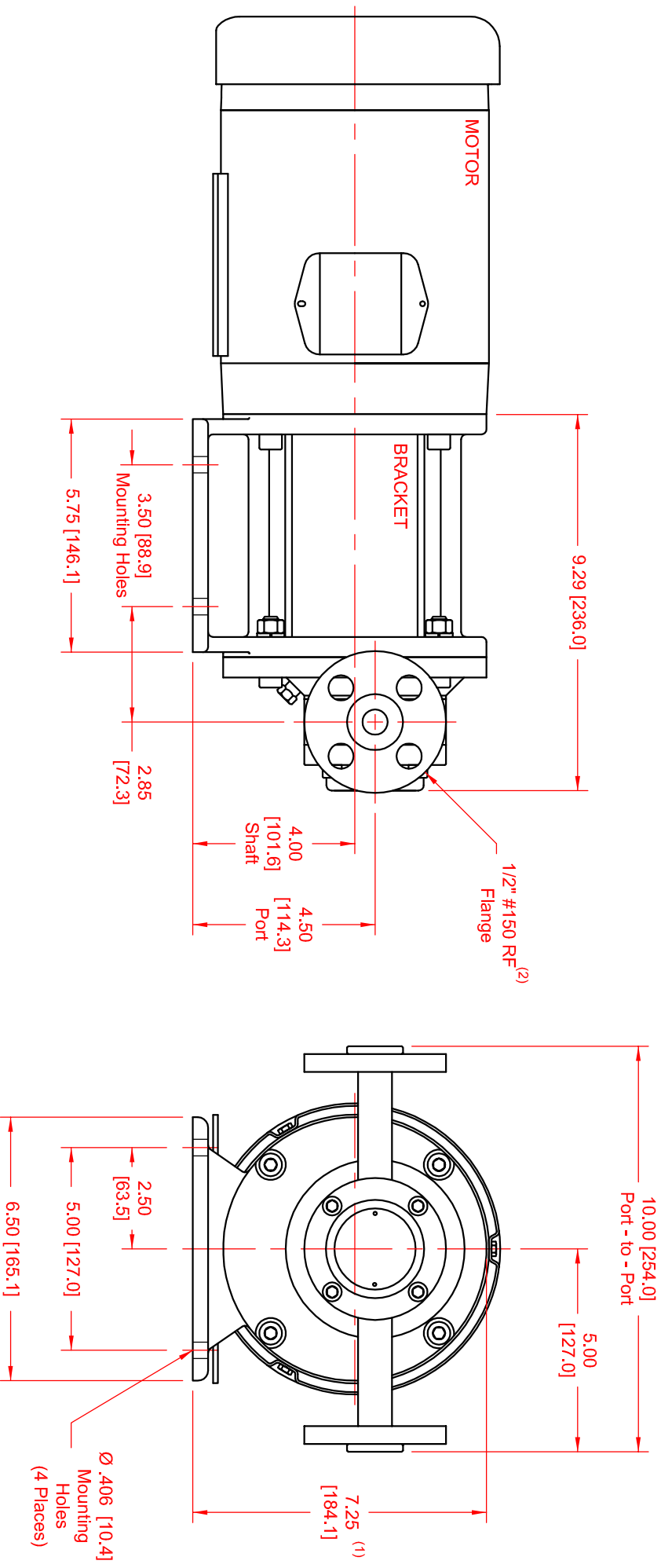


SERIES	MODEL	CONFIGURATION	SEAL TYPE
Max-Series	M0, M1, M2, M3	Mag-Drive Gear Pump Close-Coupled with RF Flanges.	Mag-Drive (Sealless)

UNITS: inches [mm]



- NOTES:**
- 1) Dimension to top of Bracket.
 - 2) Also available with ANSI 1/2" #300 RF and DN10 PN16 flanges.