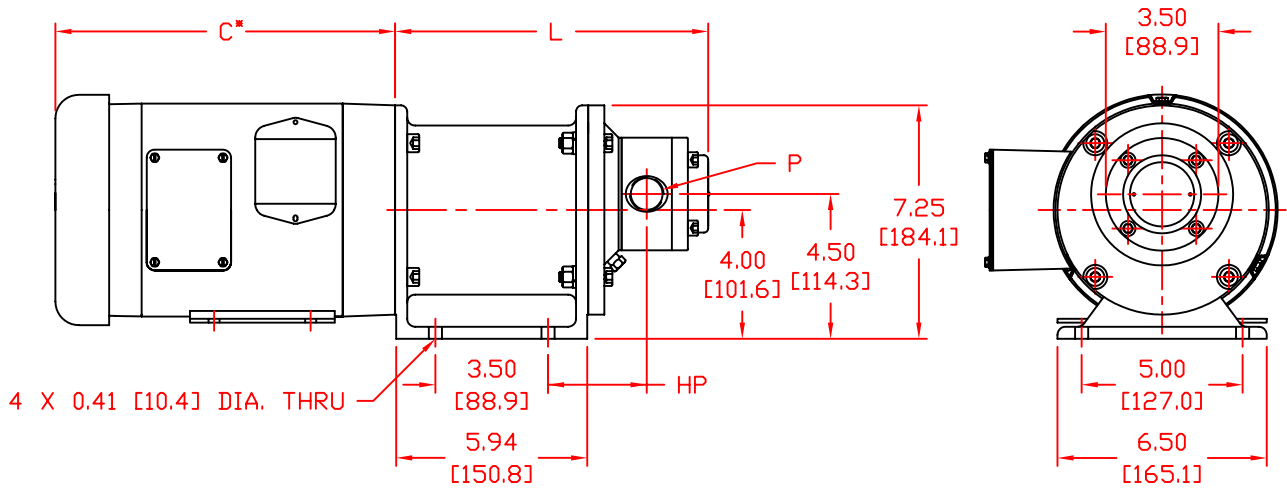
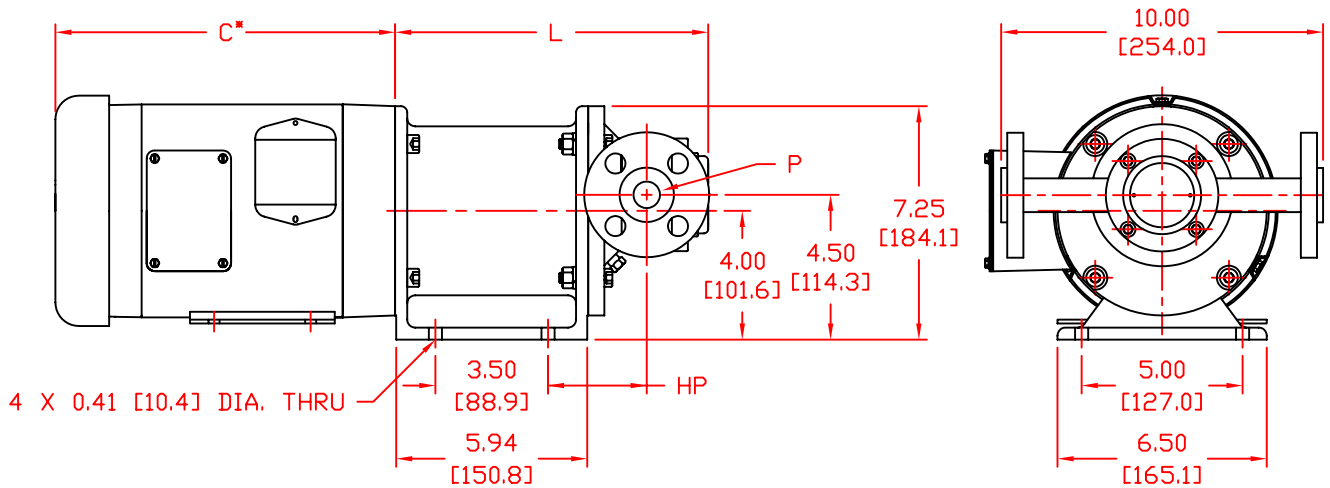


# M0-M4 PUMP: MAG-DRIVE & THREADED PORTS



# M0-M4 PUMP: MAG-DRIVE & FLANGED PORTS



### DIMENSIONAL DATA

PUMP MODELS	PORT SIZE THREADED (P) <sup>1)</sup>	PORT SIZE FLANGED (P)		LENGTH (L)	PORT TO HOLE (HP)
		ANSI	DIN		
UNITS	in	in	mm	in [mm]	in [mm]
M0-M3	1/2	1/2	15	9.29 [236.0]	2.85 [72.4]
M4	3/4	3/4	20	9.73 [247.1]	3.07 [78.0]

NOTES:  
 1) THREADED PORTS ARE NPT OR BSPT.