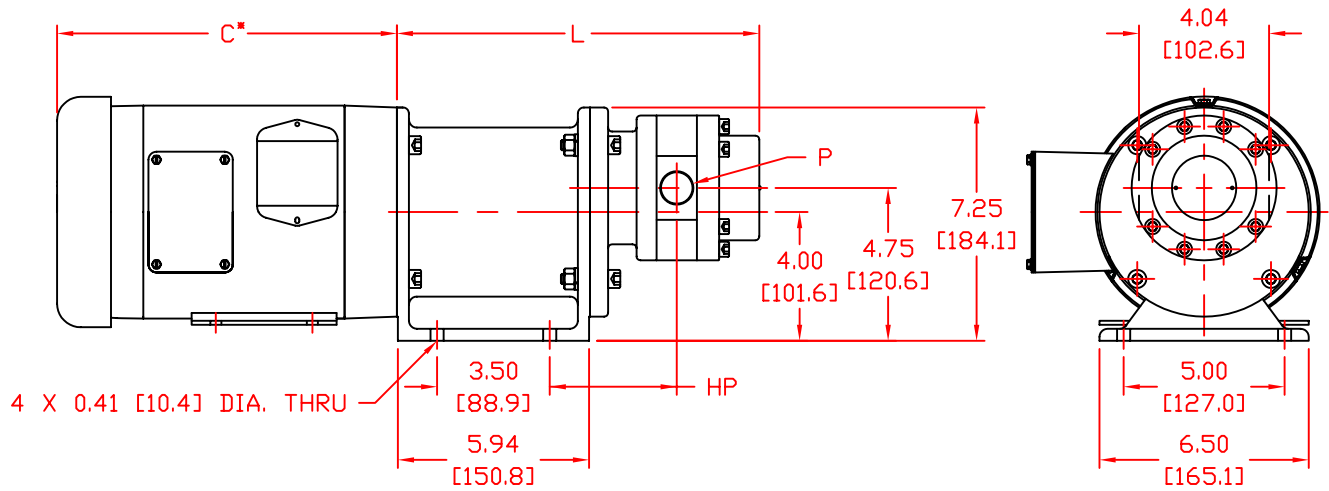
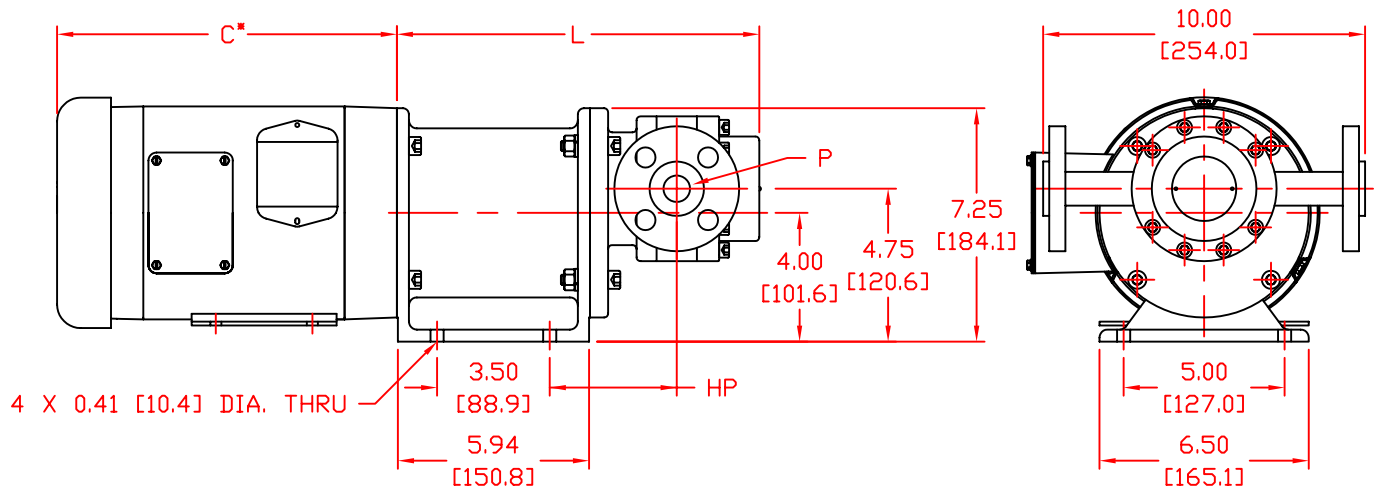


# M5-M8 PUMP: MAG-DRIVE & THREADED PORTS



# M5-M8 PUMP: MAG-DRIVE & FLANGED PORTS



DIMENSIONAL DATA

PUMP MODELS	PORT SIZE THREADED (P) <sup>1)</sup>	PORT SIZE FLANGED (P)		LENGTH (L)	PORT TO HOLE (HP)
		ANSI	DIN		
UNITS	in	in	mm	in [mm]	in [mm]
M5	3/4	3/4	20	11.26 [286.0]	3.94 [100.1]
M6	1	1	25	11.63 [295.4]	4.13 [103.3]
M7	1-1/4	1-1/4	32	12.01 [305.0]	4.32 [109.8]
M8	1-1/2	1-1/2	40	12.51 [317.8]	4.57 [116.1]

NOTES:

1) THREADED PORTS ARE NPT OR BSPT.