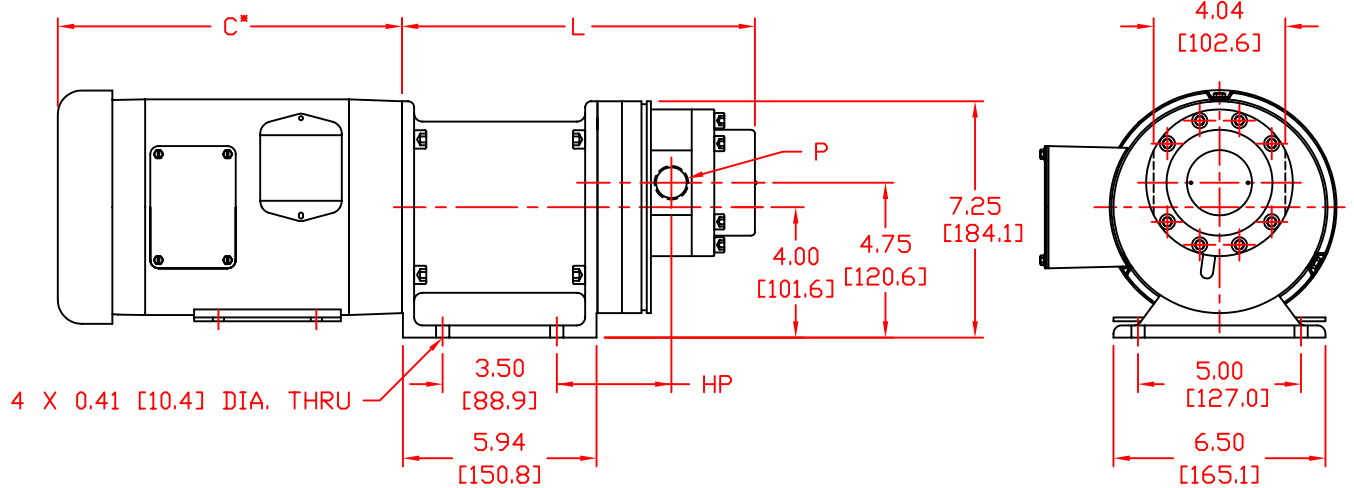
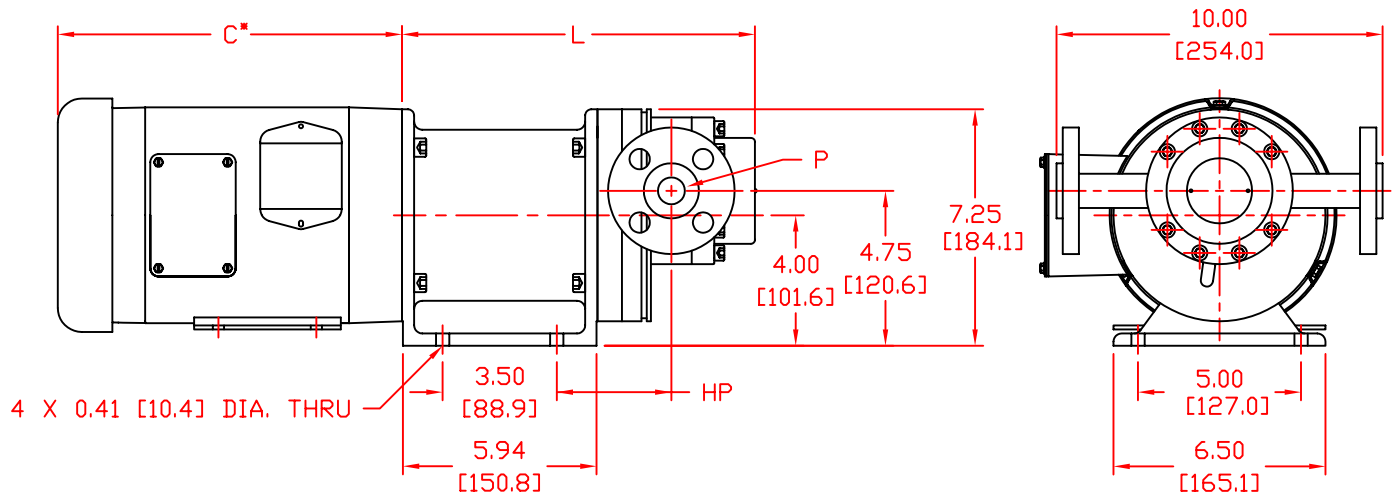


## M5-M8 PUMP: SEALED & THREADED PORTS



## M5-M8 PUMP: SEALED & FLANGED PORTS



### DIMENSIONAL DATA

PUMP MODELS	PORT SIZE THREADED (P) <sup>1)</sup>	PORT SIZE FLANGED (P)		LENGTH (L)	PORT TO HOLE (HP)
		ANSI	DIN		
UNITS	in	in	mm	in [mm]	in [mm]
M5	3/4	3/4	20	10.83 [275.1]	3.51 [89.2]
M6	1	1	25	11.20 [284.5]	3.70 [94.0]
M7	1-1/4	1-1/4	32	11.58 [294.1]	3.89 [98.8]
M8	1-1/2	1-1/2	40	12.08 [306.8]	4.14 [105.2]

#### NOTES:

1) THREADED PORTS ARE NPT OR BSPT.