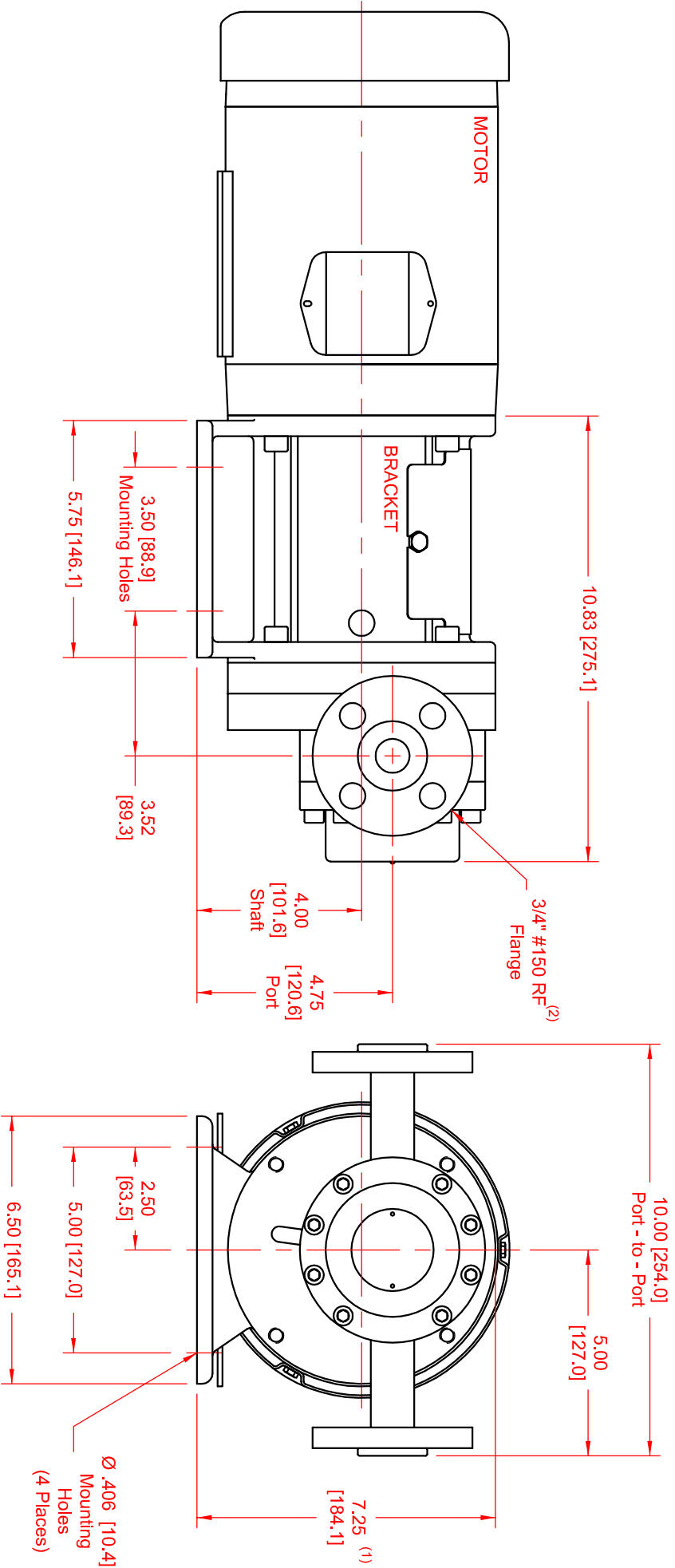


SERIES	MODEL	CONFIGURATION	SEAL TYPE
Max-Series	M5	Sealed Gear Pump Close-Coupled with RF Flanges.	Single Mechanical Seal or Double Mechanical Seal

UNITS: inches [mm]



- NOTES:**
- 1) Dimension to top of Bracket.
  - 2) Also available with ANSI 3/4" #300 RF and DN20 PN16 flanges.