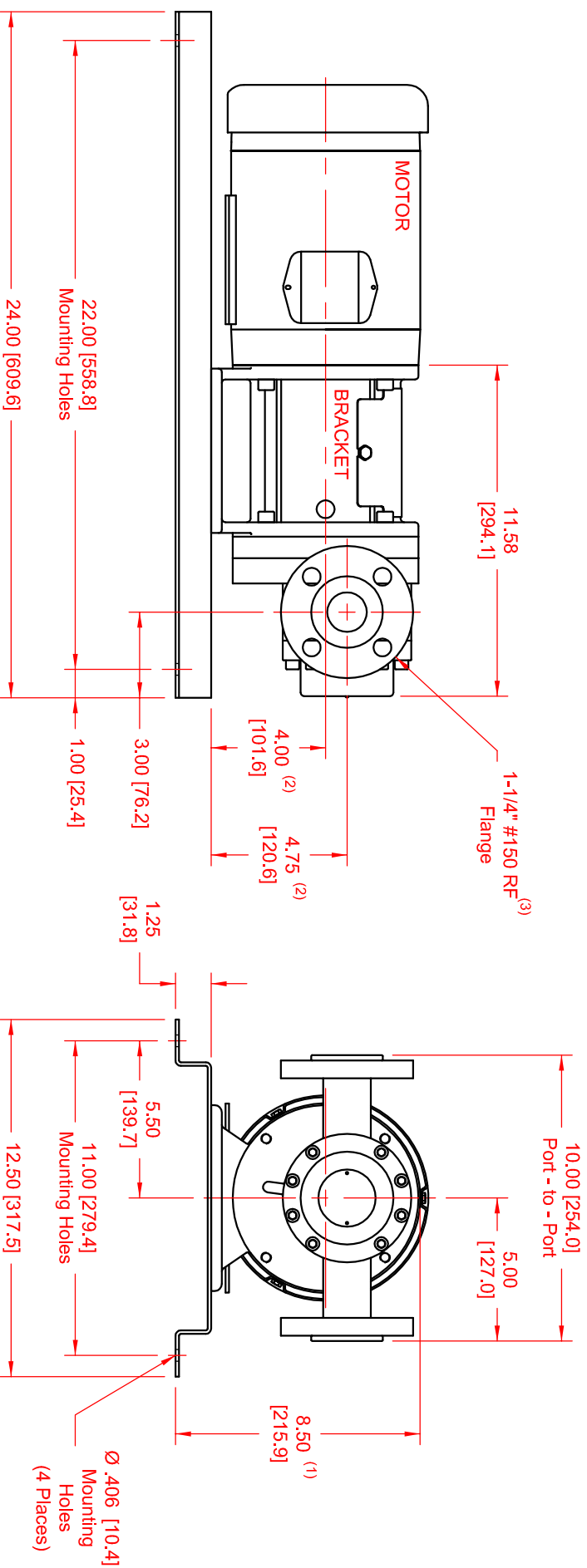


SERIES	MODEL	CONFIGURATION	SEAL TYPE
Max-Series	M7	Sealed Gear Pump Close-Coupled Base-Mounted Version with RF Flanges.	Single Mechanical Seal or Double Mechanical Seal

UNITS: inches [mm]



- NOTES:**
- 1) Dimension to top of Bracket.
  - 2) Applies for NEMA 56C, 143TC & 145TC Motors.
  - 3) Also available with ANSI 1-1/4" #300 RF and DN32 PN16 flanges.