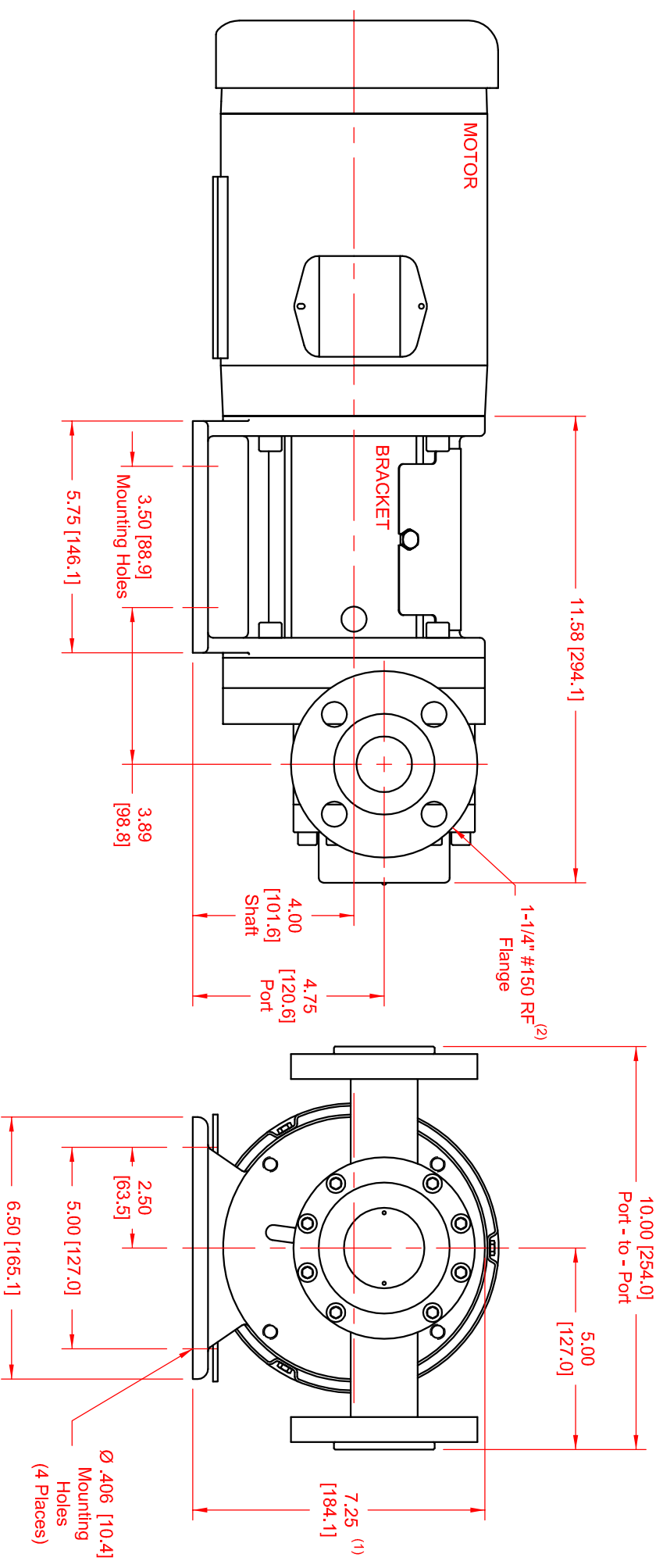


| SERIES | MODEL | CONFIGURATION | SEAL TYPE |
|------------|-------|---|--|
| Max-Series | M7 | Sealed Gear Pump Close-Coupled with RF Flanges. | Single Mechanical Seal or Double Mechanical Seal |

UNITS: inches [mm]



- NOTES:**
- 1) Dimension to top of Bracket.
 - 2) Also available with ANSI 1-1/4" #300 RF and DN32 PN16 flanges.