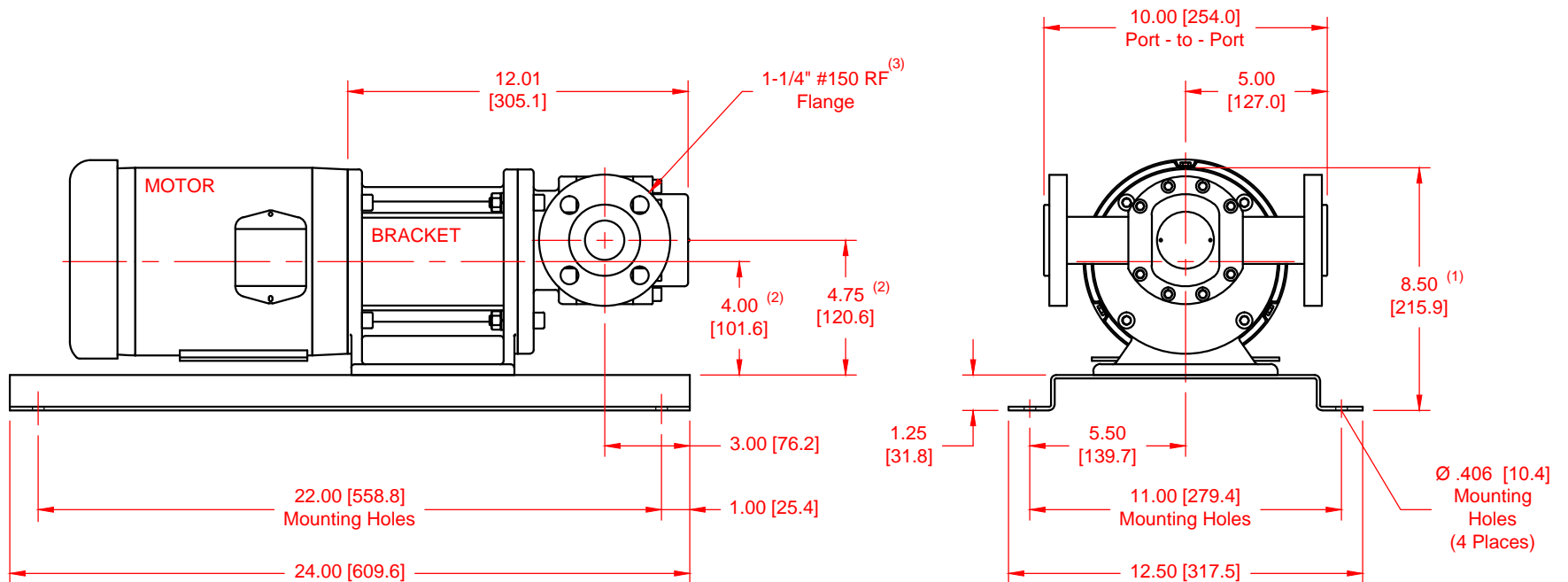


SERIES	MODEL	CONFIGURATION	SEAL TYPE
Max-Series	M7	Sealed or Mag-Drive Gear Pump Close-Coupled Base-Mounted Version with RF Flanges.	Single or Double Mechanical Seal or Mag-Drive (Sealless)

UNITS: inches [mm]



NOTES:

- 1) Dimension to top of Bracket.
- 2) Applies for NEMA 56C, 143TC & 145TC Motors.
- 3) Also available with ANSI 1-1/4" #300 RF and DN32 PN16 flanges.