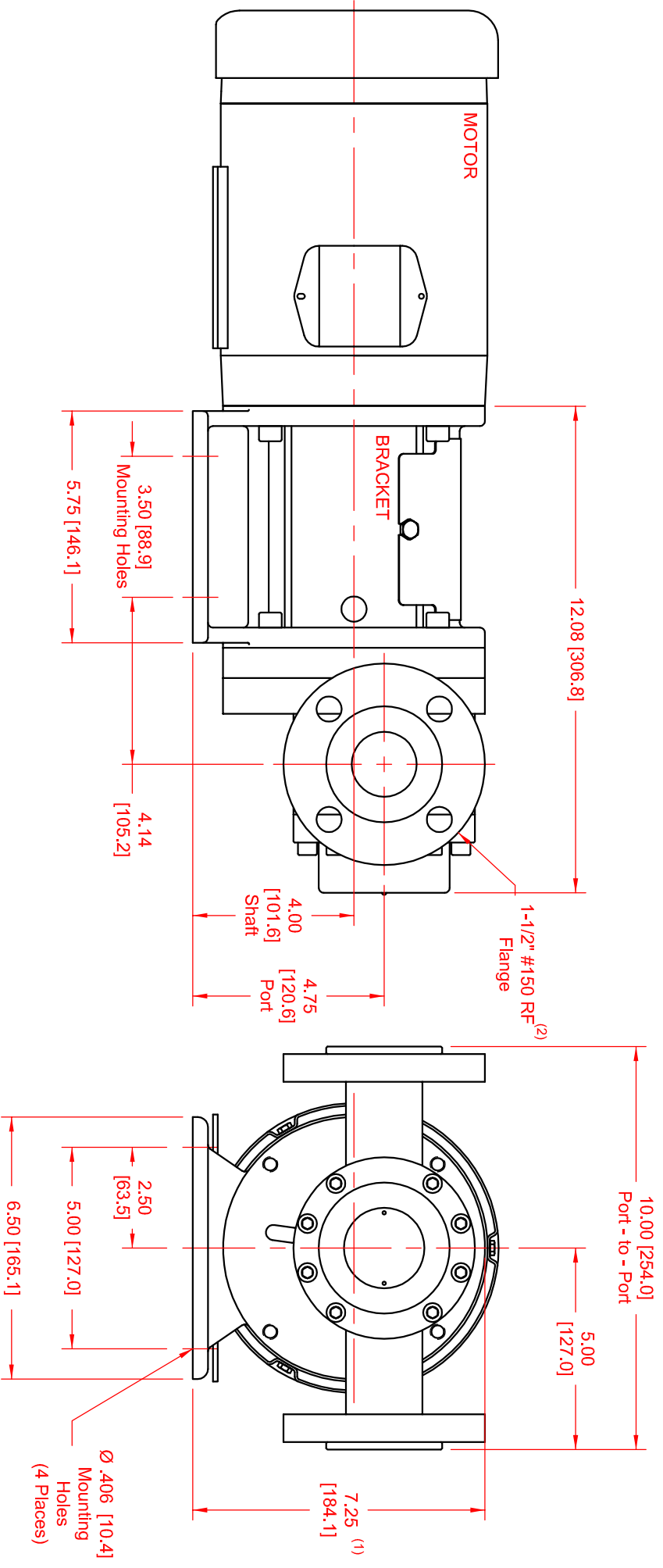


SERIES	MODEL	CONFIGURATION	SEAL TYPE
Max-Series	M8	Sealed Gear Pump Close-Coupled with RF Flanges.	Single Mechanical Seal or Double Mechanical Seal

UNITS: inches [mm]



- NOTES:**
- 1) Dimension to top of Bracket.
  - 2) Also available with ANSI 1-1/2" #300 RF and DN40 PN16 flanges.