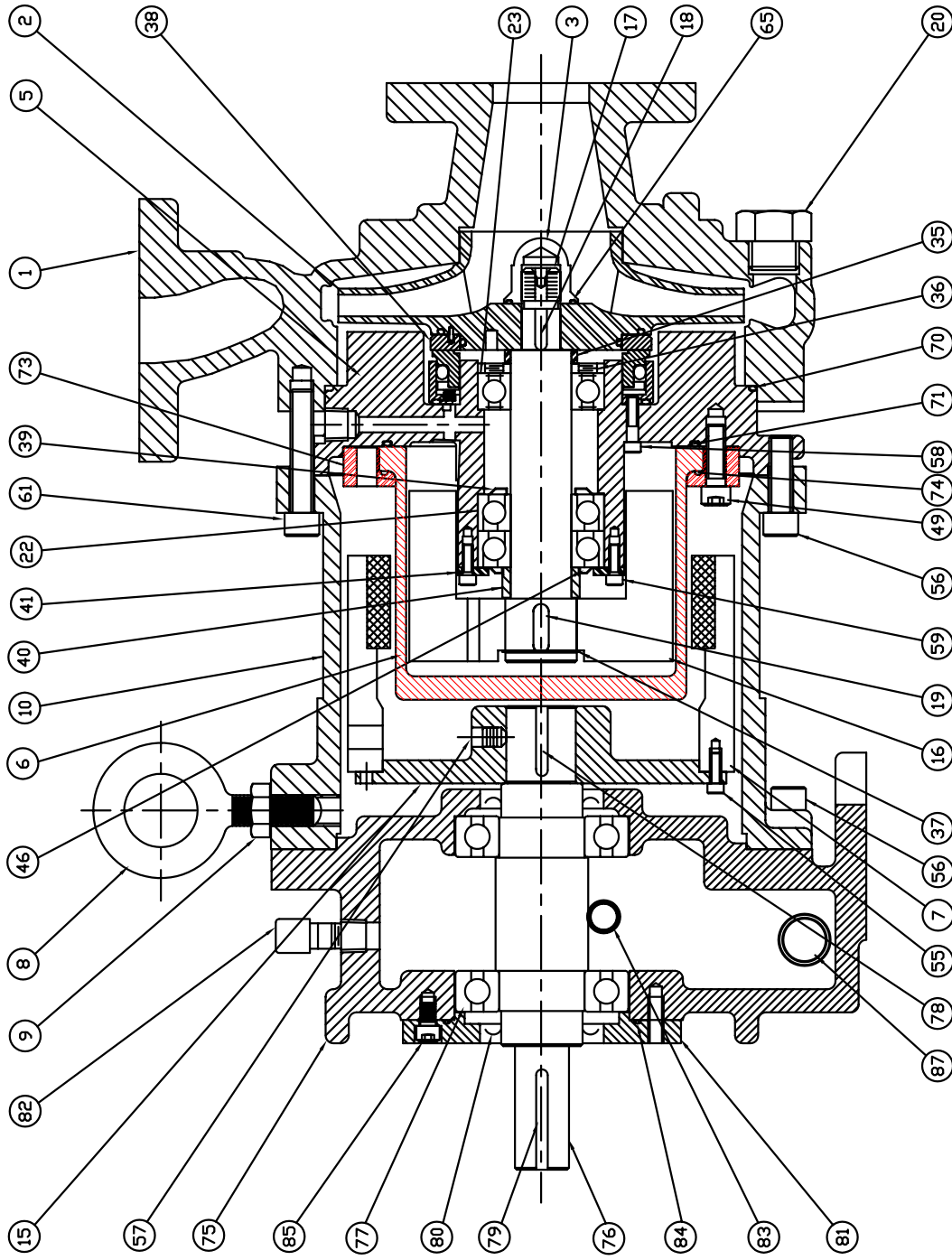


Liquiflo

EQUIPMENT COMPANY

Group I 6" AB W/Power Frame



ITEMREQD	DESCRIPTION
1	CASING
1	IMPELLER, CLOSED
3	NUT, IMPELLER
5	BEARING HOUSING
6	CONTAINMENT SHELL*
7	OUTER MAGNET
8	EYEBOLT
9	NUT, EYEBOLT
10	MOUNTING BRACKET
15	HUB, OUTER MAGNET
16	INNER MAGNET
17	SHAFT
18	KEY, IMPELLER
19	KEY, INNER MAGNET
20	DRAIN PLUG (1/2 NPT)
22	BEARING, THRUST
23	BEARING, RADIAL
35	SPACER, IMPELLER
36	LABYRINTH RING
37	SNAP RING, INNER MAG
38	ASSEMBLY, AIR BARRIER
39	NILDS RING (PUMP SIDE)
40	SPACER, INNER MAGNET
41	RETAINER, BEARING
46	NILDS RING (MAG. SIDE)
49	5/16-24 X 1 SHCS
55	#8-32 X 1/2 SHCS
56	3/8-16 X 1-1/4 SHCS
57	5/16-24 X 3/8 SHSS
58	#10-32 X 3/4 SHCS
59	#8-32 X 1/2 SHCS
61	3/8-16 X 2 SHCS
65	O-RING, IMPELLER NUT
70	O-RING, CASING
71	O-RING, CONT. SHELL
73	FLANGE, CONT. SHELL
74	O-RING, FLANGE
75	HOUSING, POWER FRAME
76	SHAFT, POWER FRAME
77	BEARING
78	KEY, HUB, OUTER MAG.
79	KEY, COUPLING
80	SEAL
81	COVER
82	BREATHER
83	SIGHT GLASS
84	O-RING, COVER
85	1/4-28 X 3/8 SHCS
87	DRAIN PLUG (1/2 NPT)

* CERAMIC ZIRCONIA

Telephone: (908) 518-0777

443 North Avenue, Garwood, NJ 07027, USA
 Fax: (908) 518-1847

Internet: <http://www.liquiflo.com>

REVISED DEC. 2008

DRAWING NUMBER: E3504PF