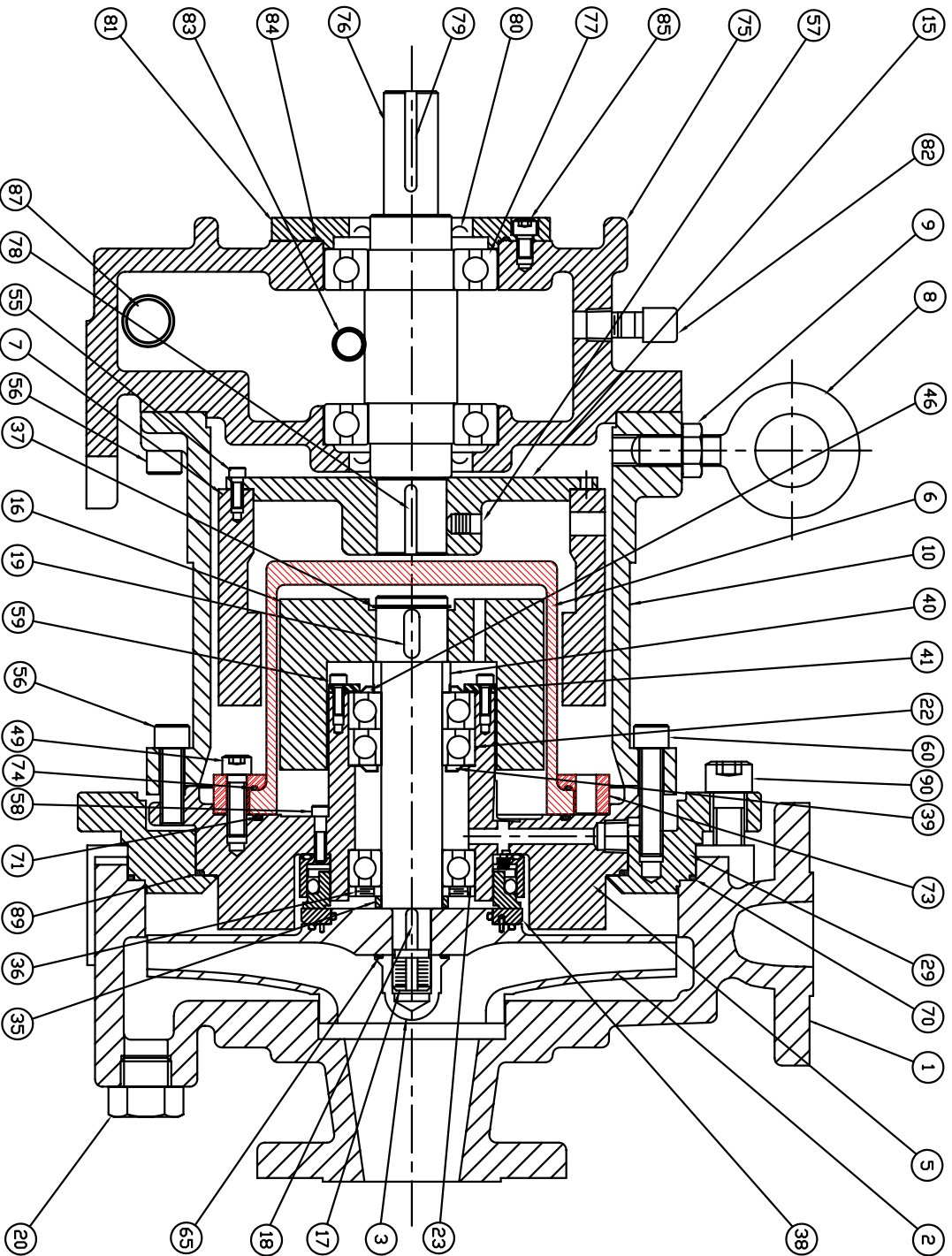


Liquiflo

EQUIPMENT COMPANY

Group I 8" AB W/Power Frame



ITEM#	QTY	DESCRIPTION
1	1	CASING
2	1	IMPELLER, CLOSED
3	1	NUT, IMPELLER
5	1	BEARING HOUSING
6	1	CONTAINMENT SHELL*
7	1	OUTER MAGNET
8	1	EYEBOLT
9	1	NUT, EYEBOLT
10	1	MOUNTING BRACKET
15	1	HUB, OUTER MAGNET
16	1	INNER MAGNET
17	1	SHAFT
18	1	KEY, IMPELLER
19	1	KEY, INNER MAGNET
20	1	DRAIN PLUG (1/2 NPT)
22	2	BEARING, THRUST
23	1	BEARING, RADIAL
29	1	ADAPTER, CASING
35	1	SPACER, IMPELLER
36	1	LABYRINTH RING
37	1	SNAP RING, INNER MAG.
38	1	ASSEMBLY, AIR BARRIER
39	1	NILDS RING (PUMP SIDE)
40	1	SPACER, INNER MAGNET
41	1	RETAINER, BEARING
46	1	NILDS RING (MAG. SIDE)
49	8	5/16-24 X 1 SHCS
55	6	3/8-16 X 1-1/4 SHCS
56	2	5/16-24 X 3/8 SHSS
57	2	#10-32 X 3/4 SHCS
58	4	#8-32 X 1/2 SHCS
59	8	3/8-24 X 1 3/4 SHCS
60	1	D-RING, IMPELLER NUT
65	1	D-RING, CASING
70	1	D-RING, CASING
71	1	D-RING, CONT. SHELL
73	1	FLANGE, CONT. SHELL
74	1	D-RING, FLANGE
75	1	HOUSING, POWER FRAME
76	1	SHAFT, POWER FRAME
77	2	BEARING
78	1	KEY, HUB, OUTER MAG.
79	1	KEY, COUPLING
80	2	SEAL
81	1	COVER
82	1	BREATHER
83	1	SIGHT GLASS
84	1	D-RING, COVER
85	4	1/4-28 X 3/8 SHCS
87	1	DRAIN PLUG (1/2 NPT)
89	1	D-RING, CASING ADAPT.
90	8	1/2-13 X 1-3/4 SHCS

* CERAMIC ZIRCONIA

Telephone: (908) 518-0777

443 North Avenue, Garwood, NJ 07027, USA
Fax: (908) 518-1847

Internet: <http://www.liquiflo.com>