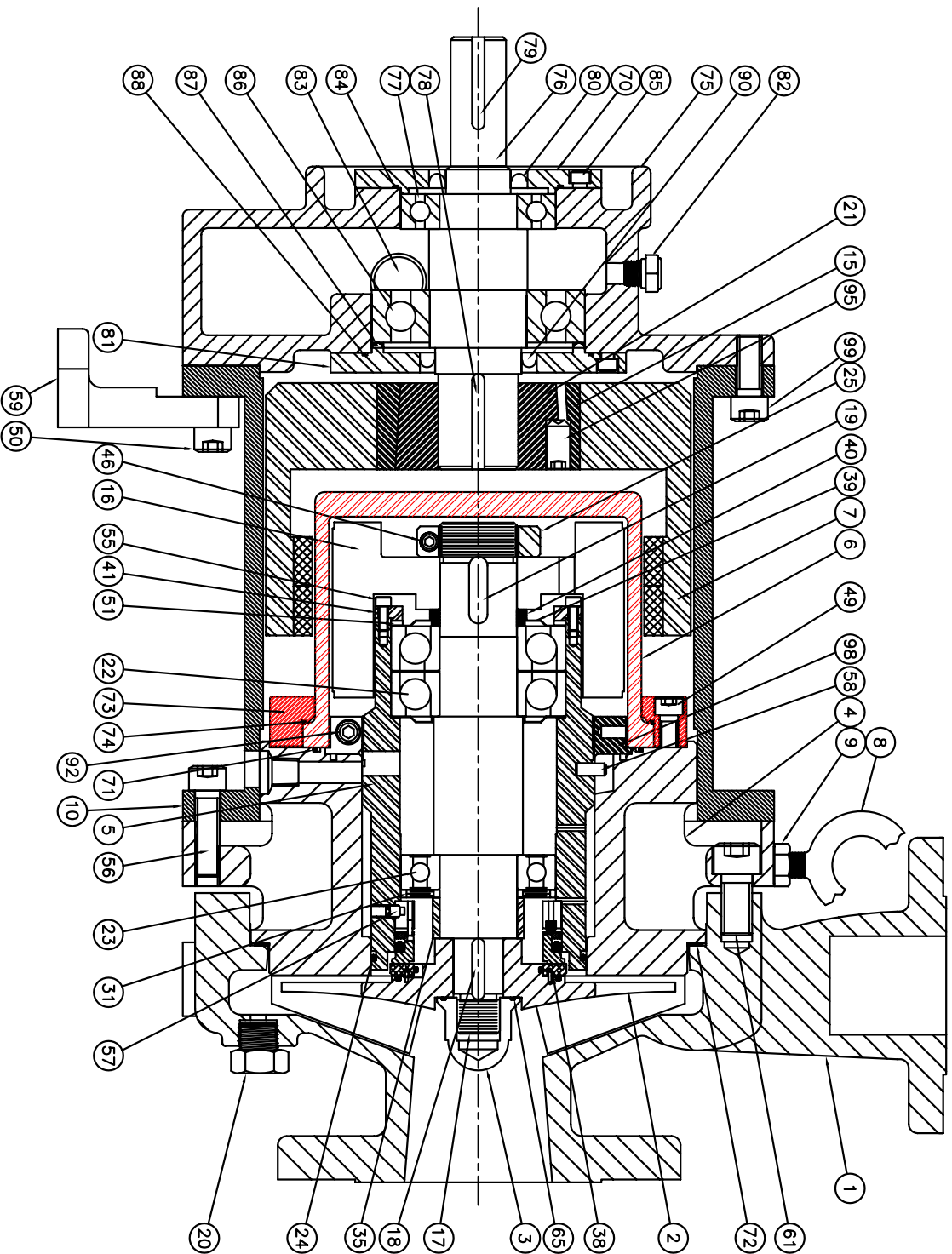


**Liquiflo**  
EQUIPMENT COMPANY

**Group II AB**  
**W/Power Frame**



ITEM/REQD	DESCRIPTION
1	CASTING
2	IMPELLER, OPEN
3	IMPELLER
4	COVER, CASING
5	BEARING HOUSING
6	CONTAINMENT SHELL*
7	OUTER MAGNET
8	EYEBOLT
9	2 NUT, EYEBOLT
10	MOUNTING BRACKET
15	ADAPTER, TAPER LOCK
16	INNER MAGNET
17	SHAFT
18	KEY, IMPELLER
19	KEY, INNER MAGNET
20	DRAIN PLUG (1/2 NPT)
21	BUSHING, TAPER LOCK
22	BEARING, THRUST
23	BEARING, RADIAL
24	D-RING, MODULE
25	LOCKNUT, INNER MAGNET
31	DRYRUNTH RING
35	IMPELLER
38	ASSEMBLY, AIR BARRIER
40	2 SPACER, INNER MAGNET
41	BRG. PRE-LOAD CAP
44	1/4-28 X 3/4 SHCS
46	3/8-24 X 1-1/2 SHCS
49	1/2-13 X 1 SHCS
50	WAVE SPRING
51	#10-32 X 1/2 SHCS
55	4 1/2-13 X 1-1/2 SHCS
56	1/4-28 X 3/8 SHSS
57	ANTI-ROTATION PIN
58	END, POWER FRAME
59	END, POWER FRAME
61	8 5/8-11 X 1-1/4 SHCS
65	D-RING, IMPELLER NUT
70	COVER, FRONT BRG.
71	D-RING, CONT. SHELL
72	GASKET, CASTING
73	FLANGE, CONT. SHELL
74	D-RING, FLANGE
75	HOUSING, POWER FRAME
76	SHAFT, POWER FRAME
77	BEARING, FRONT
78	KEY, OUTER MAGNET
79	KEY, COUPLING
80	SEAL, FRONT BRG.
81	COVER, BACK BRG.
82	BREATHER
83	BRIGHT GLASS
84	D-RING, FRONT COVER
85	1/4-28 X 3/8 SHCS
86	BEARING, BACK BRG.
87	SPRING, BACK BRG.
88	D-RING, BACK COVER
90	SEAL, BACK BRG.
92	5/16-24 X 1 SHCS
95	1/2 X 1 SHSS
98	LOCKNUT, BEARING HSG.
99	4 1/2-13 X 1-1/4 SHCS

\* CERAMIC ZIRCONIA